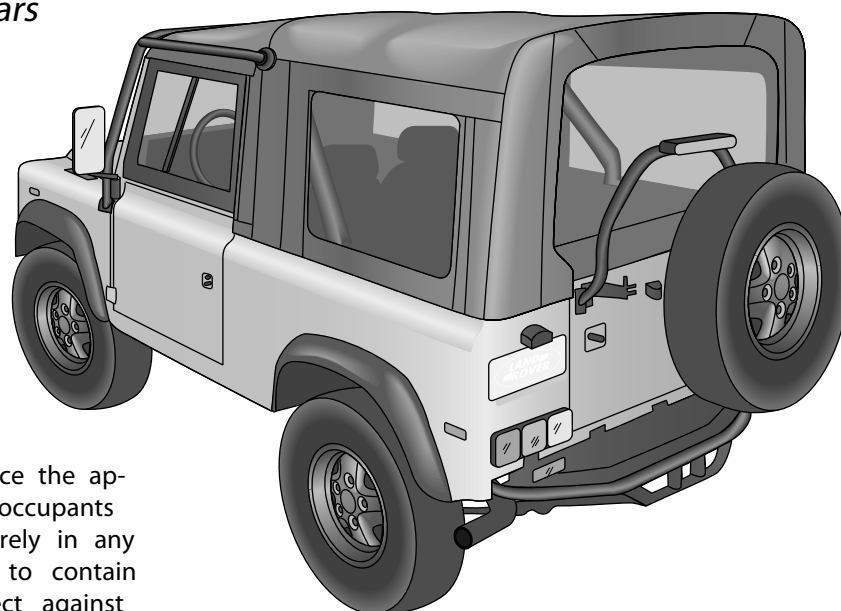


Tailgate Bar & Clip Kit Installation Instructions

*For: Defender 90
All Model Years*

Part Number: 71713AM



WARNING

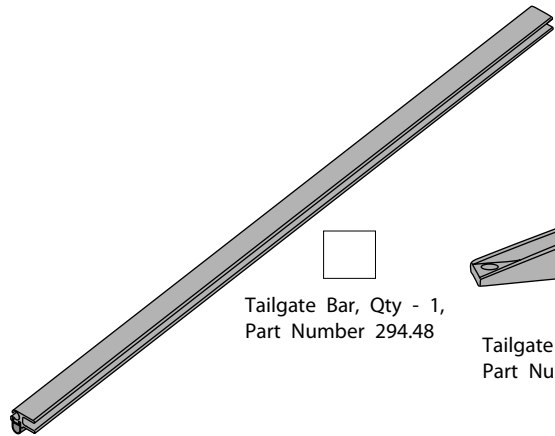
This product is designed primarily to enhance the appearance of the vehicle and to shield the occupants from ordinary weather conditions. Do not rely in any way on the components of this product to contain occupants within the vehicle, or to protect against injury or death in the event of an accident. This product will not protect the occupants from falling objects. Never operate vehicle in excess of manufacturer's specifications.

WEAR SEAT BELTS AT ALL TIMES

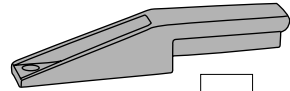
Read and follow, precisely, all installation instructions provided when installing the soft top. Failure to do so may result in a poor fitting canopy and could place occupants of the vehicle in a potentially dangerous situation.

Parts List and Hardware Identification

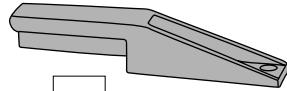
Tools Needed
Phillips Screwdriver



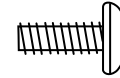
Tailgate Bar, Qty - 1,
Part Number 294.48



Tailgate Clip - Left, Qty - 1,
Part Number 292.17



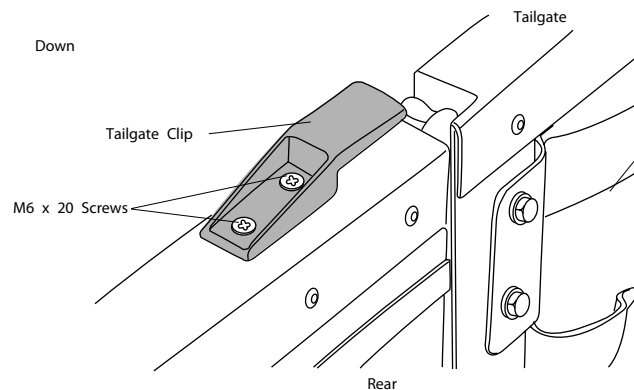
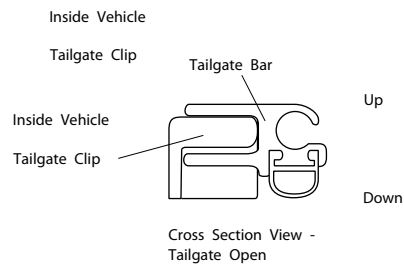
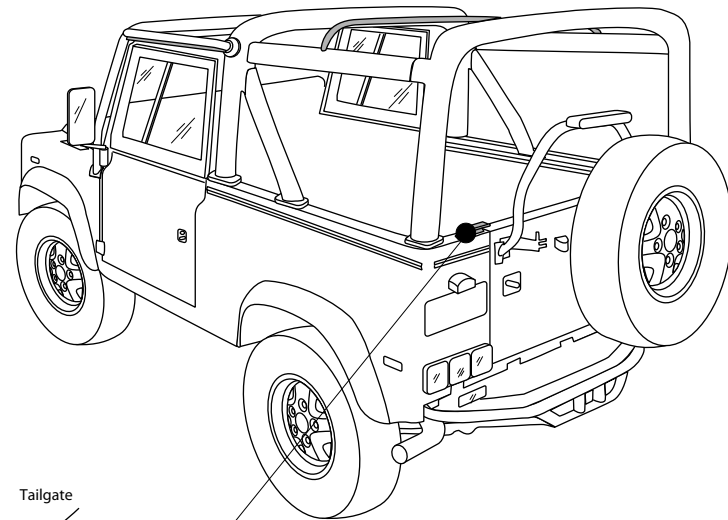
Tailgate Clip - Right, Qty -1,
Part Number 292.16



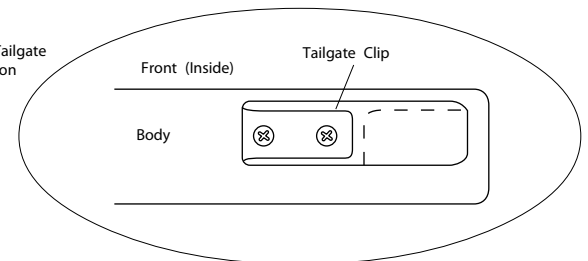
M6 x 20 Pan Head Screw, Qty - 6, Part
Number 299.44

Step One

Locate the Tailgate Clips in the parts kit. Orient them with the opening toward the center of the vehicle and toward the rear. Install the clips using four M6 x 20 Screws at existing tapped hole locations. (Figure 6.)



Detail of Tailgate
Clip Location



Step Two

Slide the Tailgate Bar onto the tube strip sewn to the bottom, inside of the Rear Window. Slip the ends of the retainer into the mounts on the vehicle.

