



Patent No: 2013100281

INSTALLATION & USER GUIDE



- 🏠 6 Enterprise Ave, Clifton Park, NY 12065
- ☎ 800.533.2210
- ✉ inquiry@ClearviewMirrorsUSA.com
- 🌐 www.ClearviewMirrorsUSA.com

Thank you for purchasing a Clearview Easy Slide. We are sure you will find the quality made product a huge asset in your vehicle's storage system.

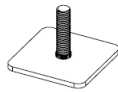
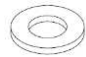


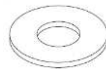

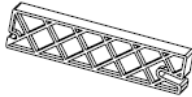


The Easy Slide is designed to give the user better access to their fridge or freezer in the storage compartment of their vehicle. No longer is it a struggle to see and reach into the fridge unit, as the Clearview Easy Slide enables you to safely adjust the position of the fridge for the best access when needed, and securely stow your fridge for the road.

⚠ IMPORTANT

The Clearview Easy Slide should only be mounted to a solid, fixed, flat timber/metal surface. Do not attempt to fit the Easy Slide to an existing inbuilt fridge slide, warranty on the Easy Slide will be made void if attempted.

This guide is for fitting a Clearview Easy Slide to a vehicle drawer system. Some assembly of the slide is required prior to installation, as it has been partially dismantled for packaging and freight.

Please remove any cargo barrier dividers or shelving over the drawer system and ensure there are no tie down lugs under the proposed positioning of the slide. Please also ensure the top of the mounting surface is flat and free from debris. Leave plastic sleeves on gas struts for protection during assembly.

Description	Quantity	
M8 x 32 Mounting Plate	4	
M8 Flat Washer	4	
M8 Nyloc Nut	4	
M10 x 16 Button Head Bolt	2	
M10 Flat Washer	2	
Timber Screw	4	
Easy Slide Plastic Chock	2	
6mm Hex Key	1	
Fridge Strap	4	

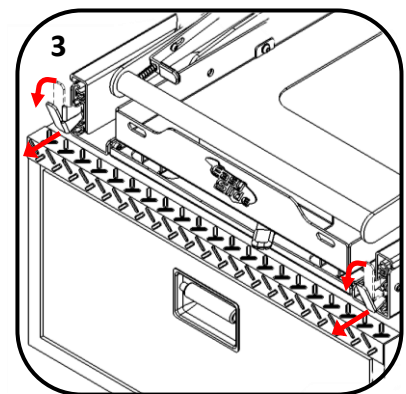
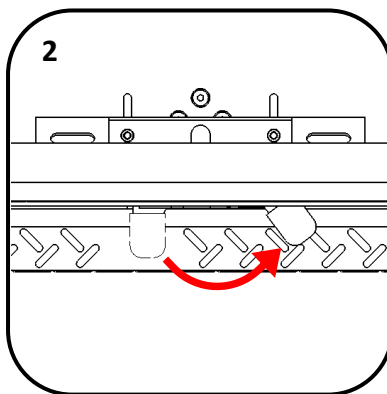
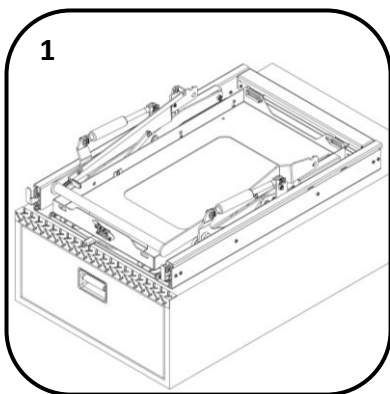
Easy Slide handle assembly

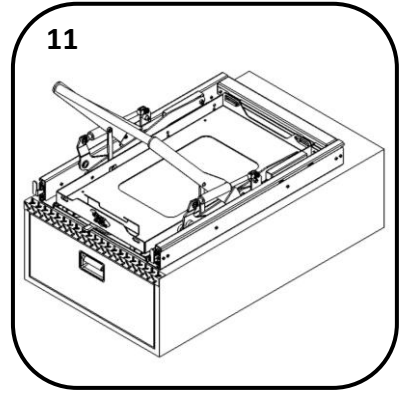
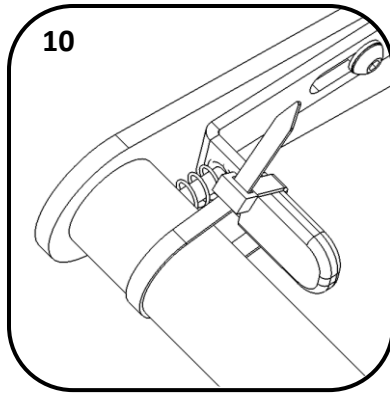
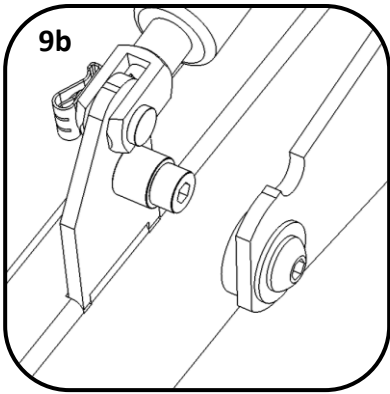
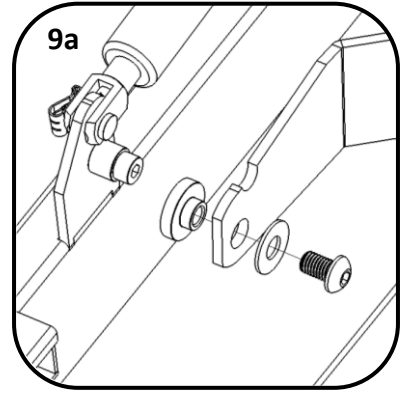
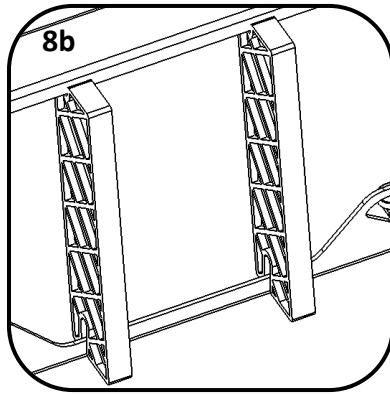
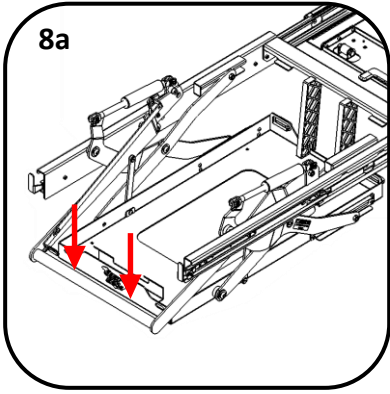
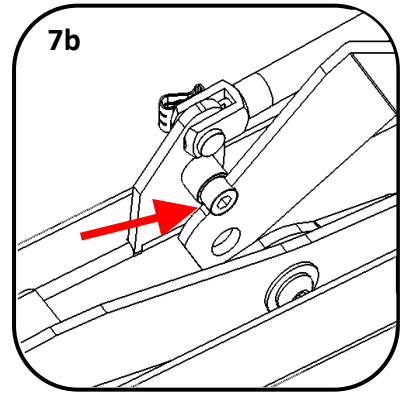
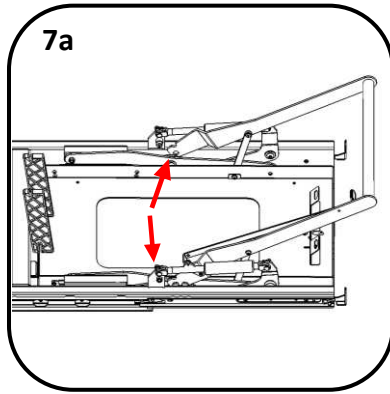
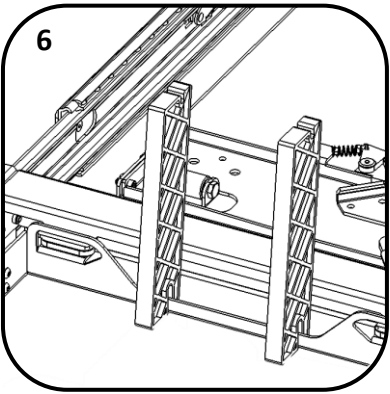
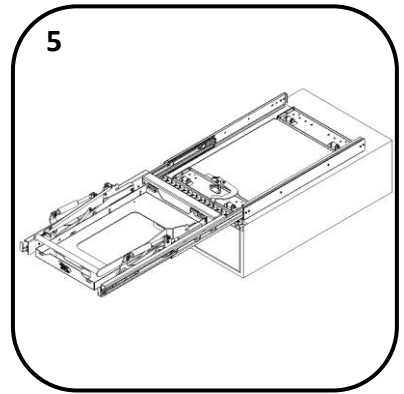
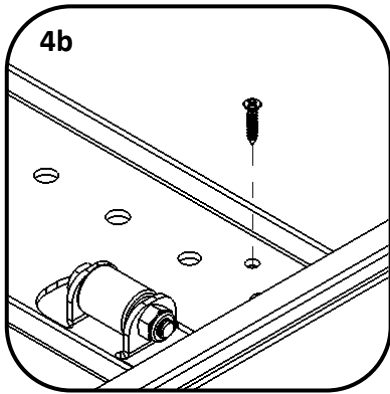
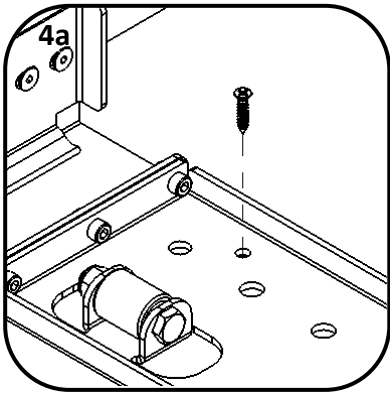
⚠ IMPORTANT

The Easy Slide must be bolted to a drawer top or partially secured to a workbench via clamps at the rear to enable safe lowering of the fridge tray during handle assembly.

Do not attempt to lower the fridge tray prior to securing the Easy Slide, as components are under pre-load pressure from gas struts and a considerable downward force on the handle will be required.

1. Place the Easy Slide on the vehicle drawer system, positioned roughly in place.
2. Release the Easy Slide Transit Lock by pushing the centred yellow lever towards the right.
3. Free the fridge tray assembly for movement by simultaneously pressing down both yellow levers on bearing runner, at the same time slide the tray assembly forward slightly to reveal rear fixing holes on Easy Slide base plate.
4. Using timber screws provided, temporarily fix the rear of the Easy Slide to the top of your drawers.
5. Once the Easy Slide is secured, bring the tray assembly to full extension. An audible “click” can be heard when rail lock out mechanism is engaged.
6. Place plastic chocks on the back edge of the fridge tray. This will be required to hold the tray in a lowered position.
7. Manoeuvre the handle arms so that notches at the base of arms lines up with pivot bolt found on strut fixing plate. This bolt will act as a temporary pivot point for lowering the fridge tray.
8. Lower the fridge tray by pushing down on the handle, until top groove of plastic chocks slips under the back edge of the tray assembly frame. A moderate amount of downward force is required when the Easy Slide is empty. The plastics chocks will prevent fridge tray from lifting back up.
9. Release handle and manoeuvre the arms until bolt holes on arms align with threaded fixing points. Secure the arms with M10 bolts and washers, using 6mm Hex Key.
10. Cut cable tie around handle trigger to enable cog lock mechanism. Squeeze trigger and push down on handle to lower fridge tray assembly and release plastic chocks. Remove plastic chocks and release handle trigger to engage the cog lock.
11. Test your Easy Slide to ensure cog lock mechanism works correctly and engages in every available position. If all working correctly, return the Easy Slide to the stowed position and re-engage the Easy Slide Transit Lock.





Positioning and mounting the Easy Slide

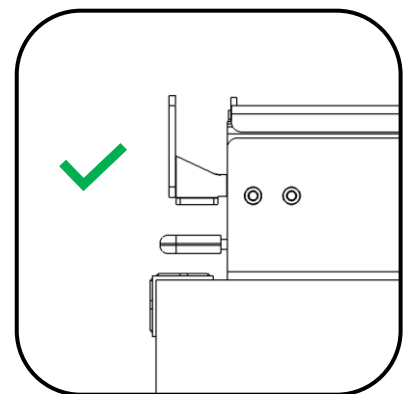
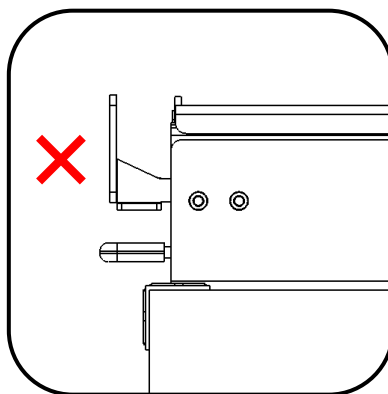
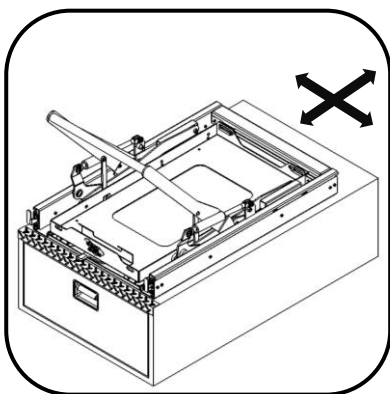
Place your fridge into the Easy Slide and return the slide into stowed position. Test the position of the Easy Slide to ensure it remains clear of vehicle side trims and rear door in all possible configurations, including closing the vehicle rear door with the Easy Slide in its secured stowed position. Take care when testing whether the vehicle rear door can be closed without contacting the Easy Slide handle or fridge.

If the Easy Slide needs to be repositioned, simply remove temporary fixing screws and move the Easy Slide into desired location. Ensure the Easy Slide does not extend further than the drawer front panels.

Once the position has been finalised, drill through drawer timber top using 8.5mm drill bit through rear fixing holes on the Easy Slide base plate.

Feed the supplied M8 mounting plate through the drilled holes from the underside of the drawer top and tighten using M8 Nyloc nut and washer. With the rear of the Easy Slide secured, fully extend the tray assembly and repeat the mounting process at front fixing holes on the Easy Slide base plate.

Vacuum all swarf and the Easy Slide is now ready for use.



Installing and securing a fridge to the Easy Slide.

⚠ IMPORTANT

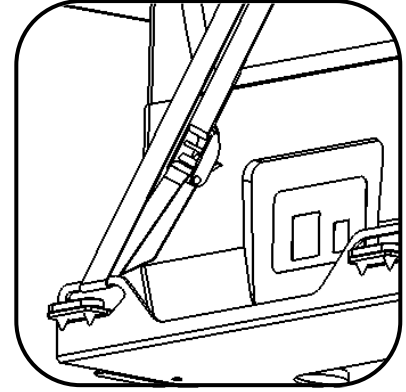
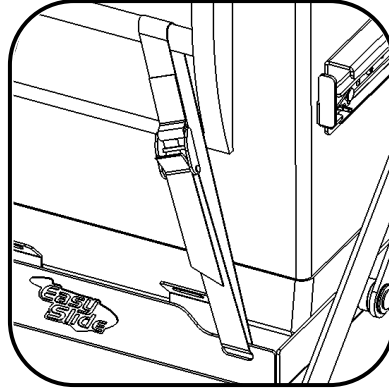
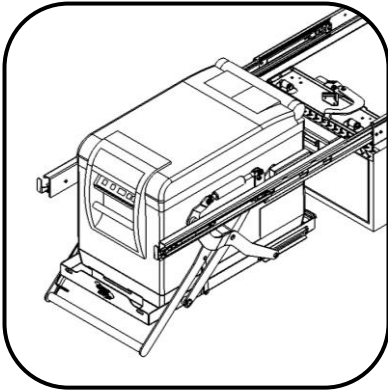
When fitting a fridge to the Easy Slide, always use quality tie-down straps and never travel with the fridge unrestrained.

Lower the Easy Slide and place your fridge into the Easy Slide tray, ensuring best access to controls, power socket and lid.

The Easy Slide has provisions for four tie-down straps, one in each corner of the fridge tray. An additional strap bracket is included on the tray, should you choose to use this as a tie down point instead.

To secure fridge, hold the strap by the buckle above the Easy Slide and feed the loose end of the strap down through the fridge handle/tie down point and through the Easy Slide strap provision from inside to out. Then thread the loose end of the strap through the cam buckle from behind, keep pulling the strap through and in a downward direction while holding cam buckle to tighten strap. Repeat this process on remaining tie down straps.

For rear tie down straps, ensure the buckles are facing inwards (towards the fridge) to avoid creating a "catch point" that may inhibit vertical movement of the Easy Slide.



Safe Easy Slide usage

The Clearview Easy Slide have a maximum weight capacity of 180Kg on the fridge tray at the maximum extension of slide. Do not overload or use the slide in a manner contrary to its intended operation as you may damage your equipment and void warranty. When stowing the Easy Slide, ensure the slide lock and transit lock are engaged for safety.

Gas struts are utilised to assist with the lifting and lowering of the slide at maximum capacity. Therefore, when slide is empty, it is normal for a moderate amount of force to be applied to the handle to lower the slide.

⚠ WARNING

Due to the nature of the scissor arm mechanism, the Easy Slide has some pinch points to be aware of. Do not place hands, fingers or objects in the areas shown below, as they are pinch hazards.

Always use the handle to lower, raise, open and close the Easy Slide.

