

Description Qty Part #

Fairey Overdrive 1 *NLA 2839

Unfortunately, the legendary Fairey Overdrives are out of manufacture once again until further notice. Built specifically for Land Rover Series engines, the Fairey Overdrive bolts onto the PTO in your transfer case to provide both better high-end and low-end RPM performance (and reduced wear and tear on your engine) as well as improved speed and fuel economy.



*NLA = No longer available.

TRANSMISSION & TRANSFER BOX

Description Qty Part #

TRANSMISSION

SERIES IIA TRANSMISSION & TRANSFER CASE-REBUILT	1	3812
SERIES IIA TRANSMISSION ONLY - REBUILT	1	3812A
SERIES III TRANSMISSION & TRANSFER CASE-REBUILT	1	3813
SERIES III TRANSMISSION ONLY - REBUILT	1	3813A

TRANSMISSION MOUNTS

Transmission Mount - Petrol 4 & 6	2	1566
Transmission Mount - all Diesel	2	5765

TRANSMISSION & TRANSFER CASE

GASKETS & SEALS

GASKETS

→ GASKET SET, SERIES I, II, IIA, III	KIT	5182
Gasket, Transfer Case, Bottom Cover	1	819
Gasket PTO Plate (where O.D. mounts)	1	7102
Compression washer for Drain Plug	1	1293
Joint Washer, Cover Plate Transfer Box	1	1376
Joint Washer, Cover Plate - all	1	1381

O RINGS

O Ring - Gear Change Lever	1	4049
O Ring - Seal for Shaft Front Output	1	1986
O Ring - For High Range Pin #7157	1	4053
O Ring - Suffix A Transfer Box Pinion	1	569
O Ring - Suffix B on Transfer Box Pinion	1	5494
O Ring - Forward Selector Shafts	2	1412
O Ring - Reverse Selector Shaft	1	1413

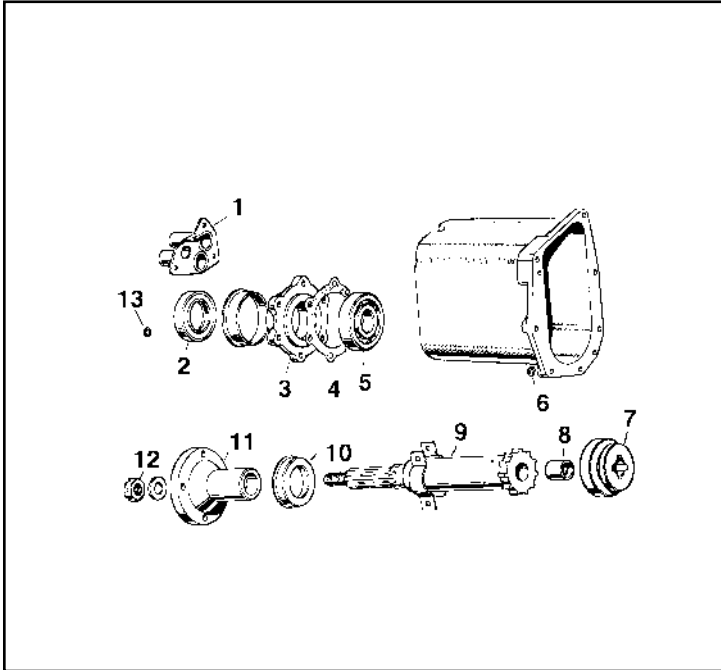
SEALS

Oil Seal Primary Pinion III	1	6709
Oil Seal Transmission to Transfer Case	1	12
Oil Seal Front & Rear output Shaft Transfer Case	2	13
Oil Seal Speedometer Pinion	1	796

TRANSMISSION TRANSFER CASE OIL PLUGS

Gearbox & Transfer Case Drain Plug	2	807
Compression Washer for 807	2	1293
Oil Plug - Transmission "B": on, 1/2" BSP	1	897
Oil Plug - Transmission "A": 3/8" BSP	1	5923

Transmission

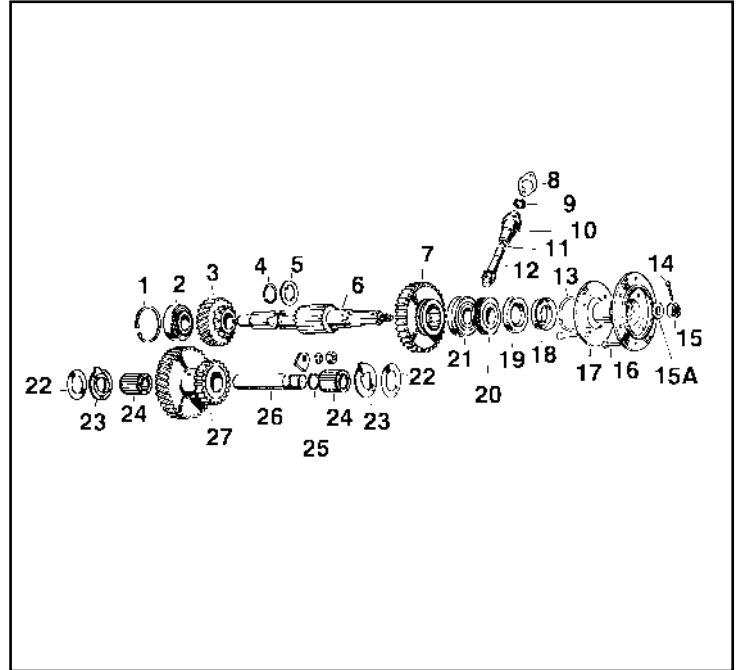


FRONT OUTPUT SHAFT ASSEMBLY

Ref #	Description	Qty	Part #
1	Dust Cover Plate	1	*NLA 1533
2	Oil Seal	1	13
3	Retainer, Oil seal	1	*NLA 1438
4	Joint Washer	1	1430
5	Bearing, Front Output Shaft	1	290
6	Spring Washer	7	5690
7	Locking Dog	1	6355
8	Bush for Shaft	1	8
9	Front Output Shaft Assembly	1	6354
10	Mudshield	1	*NLA 1433
11	Flange, Transfer Shaft	1	324
12	Slotted Nut	1	183
13	Spring Washer	6	5690

*NLA = No longer available.

Some items in this section may be available on a special order basis or phone-order only. Please call for pricing and availability.

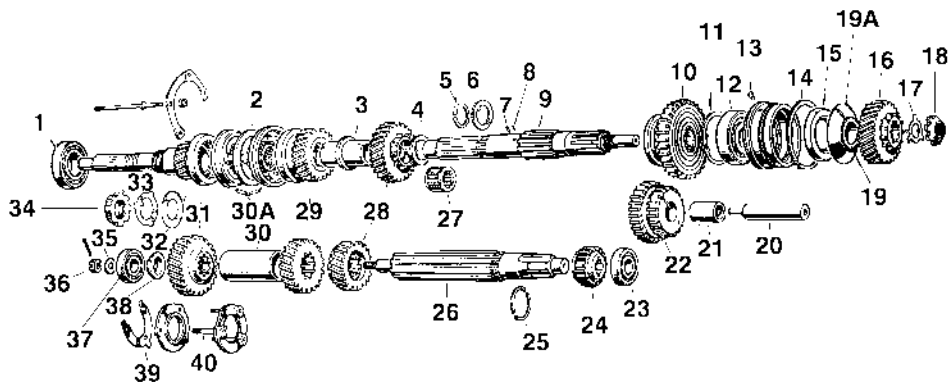


TRANSFER BOX COMPONENTS

Ref #	Description	Qty	Part #
1	Circlip	1	1285
2	Bearing, Output Shaft	1	260
3	High Gear Wheel	1	6236
4	Circlip	1	570
5	Thrust Washer	1	498
6	Output Shaft	1	6353
7	Low Gear Wheel up to Suffix "B"	1	6238
7	Low Gear Wheel Suffix "C" on	1	6240
8	Joint Washer for Sleeve	1	573
9	Oil Seal - Pinion	1	796
11	Sealing Ring for Sleeve	1	569
12	Speedometer Pinion	1	6249
13	Circlip	1	1352
14	Cotter Pin	1	5229
15	Nut	1	183
15A	Washer	1	216
16	Bolt, Brake Drum	6	1353
not shown	Dowel for Flange	2	1326
17	Retaining Flange	1	1354
18	Mudshield	1	*NLA 1433
19	Oil Seal, Output Shaft	1	13
20	Speedometer Worm	1	6352
21	Bearing, Output Shaft	1	261
22	Shim, Intermediate Gear "A"	as required	568
22	Shim, Intermediate Gear "B" on	as required	5799
23	Thrust Washer	2	*NLA 567
23	Thrust Washer, "B" on	2	5410
24	Bearing, Roller	2	*NLA 822
24	Bearing, Roller "B" on	2	2027
25	Sealing Ring, Intermediate Shaft	1	569
25	Sealing Ring, "B" on	1	5494
26	Shaft, Intermediate Gear 1 1/8 Diameter	1	1858
26	Shaft, Intermediate Gear, 1 5/8 Dia	1	5411
27	Gear, Intermediate, Suffix "A"	1	*NLA 6237
27	Gear, Intermediate, Suffix "B"	1	*NLA 6243
27	Gear, Intermediate, Suffix "C"	1	*NLA 6244



Transmission

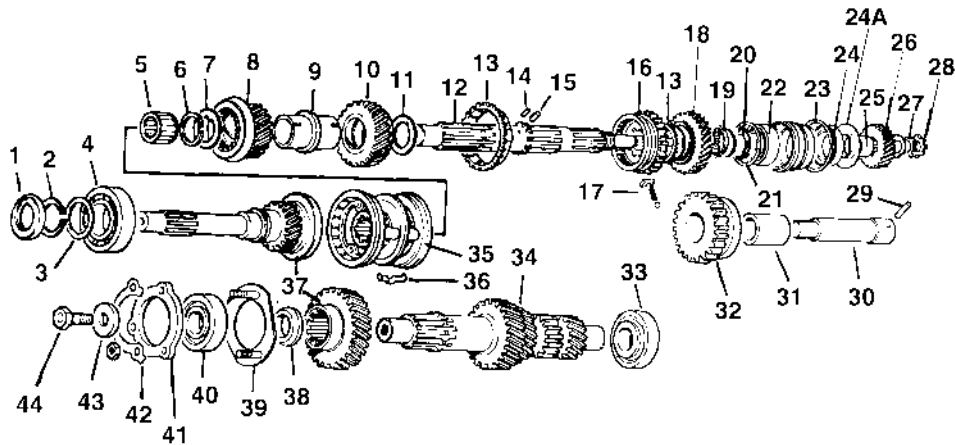


TRANSMISSION COMPONENTS, SERIES I, II, IIA

Ref #	Description	Qty	Part #	Ref #	Description	Qty	Part #
1	Bearing, Primary Pinion	1	287	24	1st Speed Layshaft Gear, Suffix "C" on	1	6135
2	Synchronizing Clutch, 3rd & 4th Gear	1	6021	25	Split Ring, Through Suffix "C"	1	492
3	Distance Sleeve	1	1179	26	Layshaft, Suffix "A"	1	6116
4	Thrust Washer, .125	as required	6230	26	Layshaft, Suffix "B & C"	1	6140
4	Thrust Washer, .128	as required	6231	26	Layshaft, Suffix "D" on	1	6145
4	Thrust Washer, .130	as required	6232	27	Bearing, Front of Main Shaft	1	180
4	Thrust Washer, .135	as required	6233	28	2nd Speed Layshaft & Mainshaft Gear to Suffix "C"	1	6239
5	Spring Ring	1	561	28	2nd Speed Layshaft & Mainshaft Gear, Suffix "D" on	1	6147
6	Thrust Washer, .125	as required	557	29	3rd Speed Layshaft & Mainshaft Gear	1	6240
6	Thrust Washer, .128	as required	*NLA 558	not shown	Thrust Washer for Third Speed .135	1	560
6	Thrust Washer, .130	as required	559	30	Sleeve for Layshaft	1	5175
6	Thrust Washer, .135	as required	560	30A	Detent Spring	3	564
7	Peg	1	460	31	Primary Pinion & Constant Gear up to "B"	1	*NLA 6242
8	Peg	1	615	31	Primary Pinion & Constant Gear from "C" on	1	6245
9	Main Shaft	1	6241	32	Shield for Primary Pinion	1	*NLA 2092
10	1st Speed Mainshaft Gear	1	6234	33	Locker	1	550
10	1st Speed Mainshaft Gear, Suffix "C" on	1	6136	34	Locknut	1	4048
11	Circlip	1	1411	35	Washer, Front of Layshaft, Suffix "A"	1	4038
12	Bearing, Rear - Mainshaft	1	396	35	Washer, Front of Layshaft, Suffix "B" on	1	5595
	Peg housing to casing	1	461	36	Nut, Front of Layshaft, Suffix "A"	1	1294
14	Circlip	1	*NLA 1296	36	Nut, Front of Layshaft, Suffix "B" on	1	5594
15	Oil Seal, Rear Mainshaft	1	12	37	Bearing, Front Layshaft, Suffix "A"	1	288
16	Mainshaft Gear for Transfer Box	1	6519	37	Bearing, Front Layshaft, Suffix "B"	1	5537
17	Locker	1	565	38	Distance Piece, .332, Suffix "A"	1	6436
18	Nut	1	*NLA 1849	38	Distance Piece, .352, Suffix "A"	1	6437
19	Distance Piece Rear of Mainshaft	1	5321	38	Distance Piece, .405, Suffix "B"	1	6438
19A	Oil Thrower	1	1261	38	Distance Piece, .425, Suffix "B"	1	6439
20	Shaft, Reverse Gear, Late type	1	5575	38	Distance Piece, .445, Suffix "B"	1	6141
21	Bush, Reverse Wheel	1	5604	39	Locker Plate, Suffix "A"	1	563
22	Reverse Wheel Assembly, up to Suffix "B"	1	6235	39	Locker Plate, Suffix "B" on	1	5970
22	Reverse Wheel Assembly, Suffix "C" on	1	6362	40	Stud, Bearing cap	3	1341
23	Bearing, Layshaft Rear	1	289				
24	1st Speed Layshaft Gear, up to Suffix "B"	1	6125				

*NLA = No longer available.

Transmission



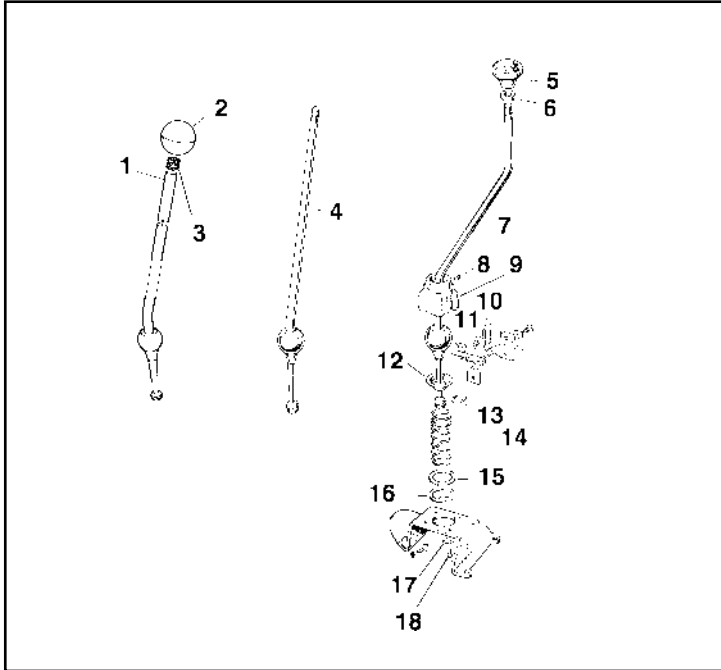
TRANSMISSION COMPONENTS, SERIES III

Ref #	Description	Qty	Part #	Ref #	Description	Qty	Part #
1	Oil Seal, Primary Pinion	1	6709	24	Oil Seal, Transmission to Transfer Case	1	12
2	Circlip	1	1578	24A	Oil Thrower	1	1261
3	Shim, Front, 2.00 mm	as needed	6710	24A	Oil Thrower (from vehicle #3611752)	1	*NLA 1262
3	Shim, Front, 2.05 mm	as needed	6711	25	Distance Piece	1	5321
3	Shim, Front, 2.10mm	as needed	6712	26	Output Gear	1	6519
3	Shim, Front, 2.15mm	as needed	*NLA 6713	27	Locker, Output Gear	1	565
4	Bearing, Primary Pinion through "B"	1	*NLA 6242	28	Nut, Rear of Mainshaft	1	*NLA 1849
4	Bearing, Primary Pinion "C" on	1	287	29	Pin, Reverse Shaft	1	6759
5	Bearing, Front Mainshaft	1	180	30	Shaft, Reverse Gear	1	8017
6	Fixing Ring, 2nd & 3rd Gear	1	561	31	Bush, Reverse Gear	1	5604
7	Thrust Washer, 3rd Speed, .125"	as needed	557	32	Reverse Gear (includes bush)	1	8011
7	Thrust Washer, 3rd Speed, .128"	as needed	*NLA 558	33	Rear Bearing, Layshaft	1	289
7	Thrust Washer, 3rd Speed, .130"	as needed	559	34	Layshaft	1	8016
7	Thrust Washer, 3rd Speed, .135"	as needed	560	35	Synchronizing Clutch Assembly	1	6021
8	3rd Speed Gear	1	8009	36	Spring for Synchronizer	3	564
9	Distance Sleeve, 2nd & 3rd Gear	1	1179	37	Primary Pinions and Constant Gear Set	1	8010
10	2nd Speed Gear	1	8014	38	Distance Piece, .405"	as needed	6438
11	Thrust Washer, 2nd speed, .125"	as needed	6230	38	Distance Piece, .425"	as needed	6439
11	Thrust Washer, 2nd Speed, .128"	as needed	6231	38	Distance Piece, .445"	as needed	6141
11	Thrust Washer, 2nd Speed, .130"	as needed	6232	39	Stud Plate	1	*NLA 1267
11	Thrust Washer, 2nd Speed, .135"	as needed	6233	40	Bearing, Front Layshaft	1	5537
12	Mainshaft	1	7083	41	Retaining Plate, Front Layshaft Bearing	1	1264
13	Synchronizing Rings, 1st & 2nd	2	8012	42	Locker, Front Layshaft Bearing	1	5970
14	Peg, Larger	1	460	43	Washer, Front Layshaft	1	1592
15	Peg, Smaller	1	615	44	Bolt, Front Layshaft	1	1591
16	Reverse Sliding Gear on Mainshaft	1	8015	not shown	Roller Bearing in PTO Plate (rear Mainshaft into Transfer Box)	1	809
17	Block Holding Ball	1	7169	not shown	Transmission & Transfer Case III, Remanufactured	1	3813
17	Spring for Ball	1	6703	not shown	Transmission & Transfer Case IIA, Remanufactured	1	3812
17	Ball for Detent	1	8023	not shown	Transmission III, New-Special Order	1	68
18	First Speed Gear, (includes bush)	1	8013				
19	Bush for First Gear	1	8022				
20	Washer, First Gear	1	6747				
21	Circlip, Rear Bearing	1	1411				
22	Bearing, Rear Mainshaft	1	396				
23	Circlip, Bearing Housing to Casing	1	*NLA 1296				

*NLA = No longer available.



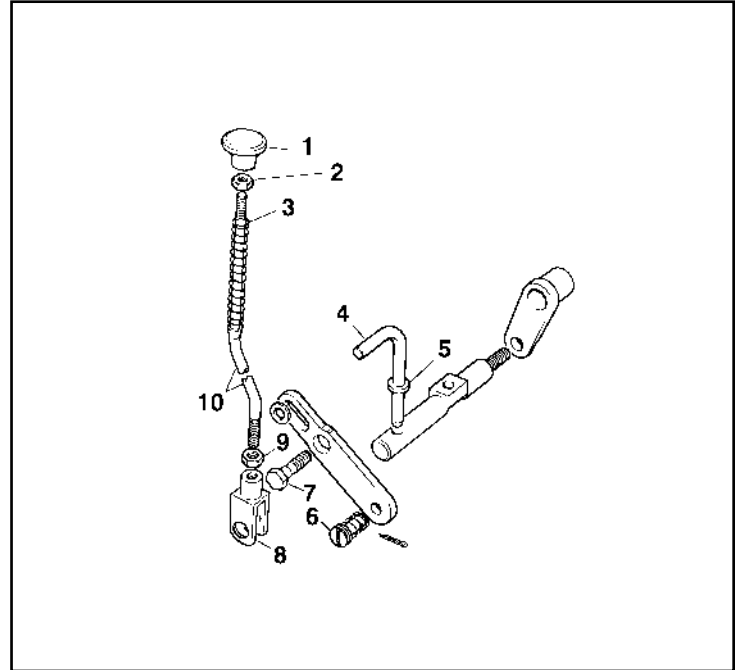
Transmission



MAIN GEARSHIFT LEVER

Ref #	Description	Qty	Part #
1	Main Gearshift Lever, 2-1/4 all, LHD (does not include knob)	1	7144
1	Main Gearshift Lever, 2-1/4 all, RHD (does not include knob)	1	4768
2	Knob for Lever, Sliding	1	2860
3	Tolerance Ring for Knob	1	*NLA 2859
4	Main Gearshift Lever, (2 Litre)	1	*NLA 347
5	Knob, Threaded	1	*NLA 2866
8	Locating Pin for Ball	1	845
9	Housing for Lever	1	1272
10	Spring for Reverse Stop	2	1577
11	Locknut	1	4045
12	Seat for Gear Lever	1	1273
13	O Ring for Gear Change Lever	1	4049
14	Retaining Spring for Lever	1	1274
15	Retaining Plate for Spring	1	3001
16	Circlip for Retainer Plate	1	3002
18	Set Bolt	1	6758
	Transmission Lever Boot	1	6298
→	BOOT & KNOB KIT	KIT	6214
	Includes:		
	1 - #6298 Transmission Boot,		
	1 - #6357 Handbrake Boot,		
	1 - #6299 Transfer Lever Boot,		
	1 - #6213 Transfer Knob (red),		
	1 - #6396 Four Wheel Knob (yellow)		
	1 - #2860 Knob, Gear Shift		

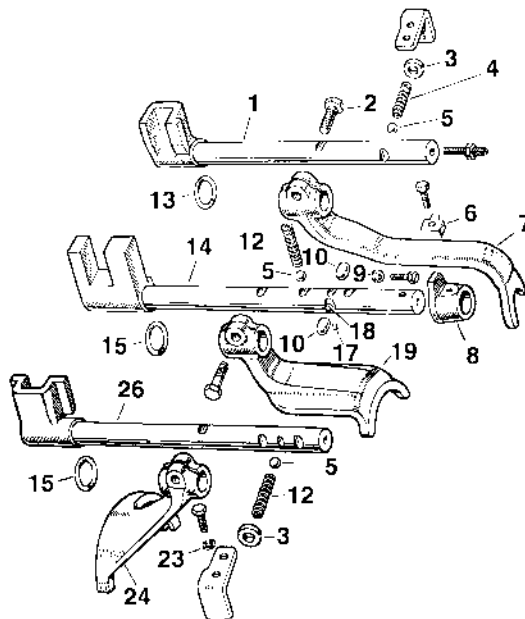
*NLA = No longer available.



TRANSMISSION SELECTOR ROD

Ref #	Description	Qty	Part #
1	Knob, Yellow	1	6396
2	Nut	2	711
3	Spring	1	5817
4	Pin, Forward Pivot Shaft	1	7157
5	O Ring	1	4053
6	Clevis Pin	1	5887
7	Bolt, Four Wheel Drive Lever	1	*NLA 6143
8	Clevis	1	6219
9	Nut	2	711
10	Selector Rod, FWD	1	6146

*NLA = No longer available.



TRANSMISSION ANCILLARY SELECTORS & LEVERS

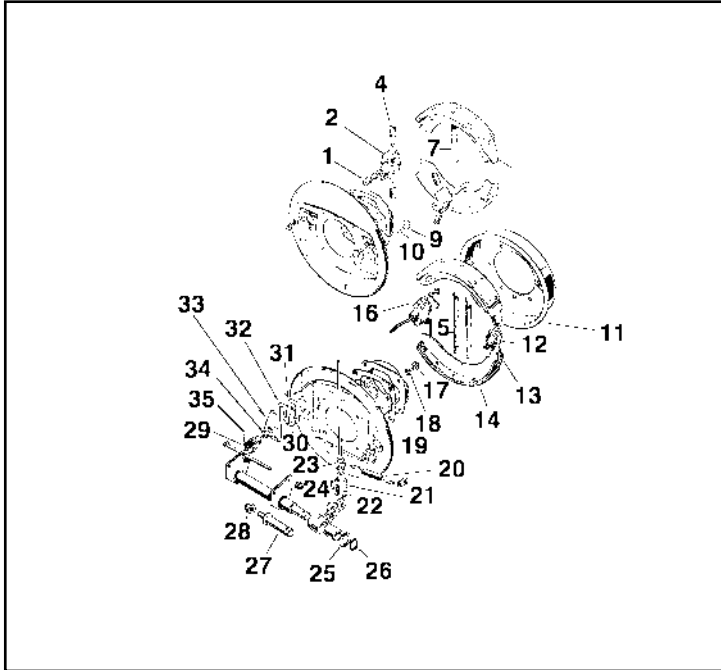
Ref #	Description	Qty	Part #
1	Shaft for Fork, Reverse	1	191
2	Bolt	3	1353
3	Rubber Grommet	2	1362
4	Selector Spring, Reverse	1	797
5	Steel Ball	3	493
6	Locker	1	5688
7	Selector Fork, IIA	1	8191
7	Selector Fork, III	1	8193
8	Stop, Second Speed	1	1334
9	Lock Nut	1	4045
10	Interlocking Plunger	2	5612
12	Selector Spring, Forward	2	*NLA 818
13	Sealing Ring, Reverse	1	1413
14	Shaft Assembly for Fork	1	1342
15	Sealing Ring, Forward Shaft	2	1412
17	Peg Fixing Interlocking Pin	1	5572
18	Interlocking Pin	1	1271

*NLA = No longer available.

Ref #	Description	Qty	Part #
19	Selector Fork, 1st & 2nd Speed, Early Series I	1	6421
19	Selector Fork, 1st & 2nd Speed, Series I, IIA	1	*NLA 8189
19	Selector Fork, 1st & 2nd Speed, Series III	1	8192
23	Spring Washer	4	5690
24	Selector Fork, 3rd & 4th Speed	1	*NLA 1314
26	Shaft for Fork, 3rd & 4th Speed	1	1343

*NLA = No longer available.

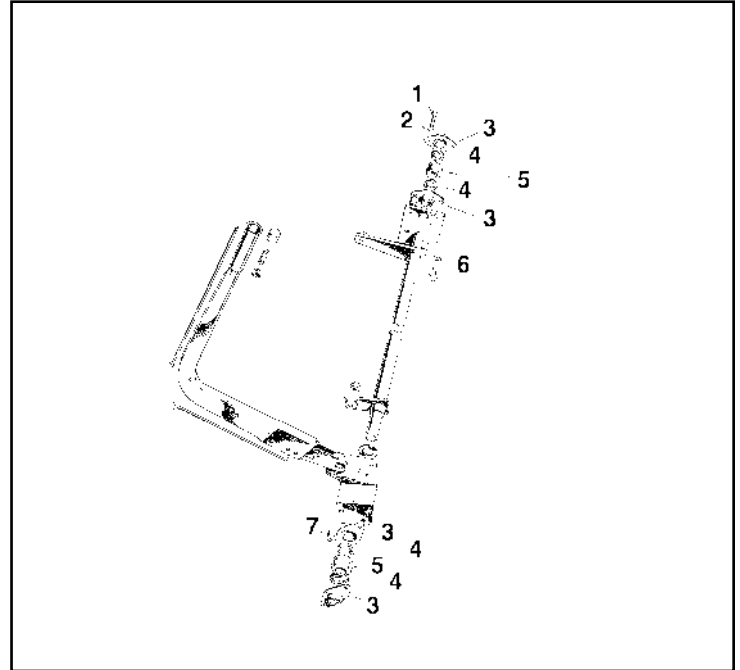
Transmission & Hand Brake



TRANSMISSION BRAKE

Ref #	Description	Qty	Part #
1	Expander Core	1	1374
2	Expander Housing	1	449
4	Plunger, for Expander	2	1373
7	Brake Spring	2	5172
9	Nut	4	1305
10	Spring Washer	4	3096
11	Brake Drum, Transmission Brake	1	1561
12	Adjuster Unit	1	5663
13	Brake Shoes, Pair, Bonded	1	5827
14	Linings, Complete with Rivets	2	*NLA 5170
15	Brake Spring	2	5172
16	Expander Unit Assembly	1	5428
17	Nut, (3/8" BSF)	4	1305
18	Spring Washer	4	3096
19	Nut, (1/4" BSF)	2	1192
20	Return Spring, Brake Rod	1	410
21	Clevis Fork	1	6248
22	Clevis Pin, complete	1	5887
23	Lock Nut, (5/16 UNF)	3	1436
24	Split Pin	2	6871
25	Washer	1	5009
26	Circlip	1	570
27	Shaft, for Relay Lever	1	5008
28	Nut, (3/8" UNF)	1	5005
29	Clevis, Complete	1	6220
30	Locking Plate	1	6589
31	Retaining Spring	1	6590
32	Packing Plate	1	6588
33	Dust Cover	1	5879
35	Split Pin	1	6871

*NLA = No longer available.



HAND BRAKE LEVER

Ref #	Description	Qty	Part #
1	Set Bolt, (5/16" x 7/8)	2	1510
2	Spring Washer	4	5690
3	Housing, Cross Shaft Bearing	4	6431
4	Felt Ring for Bearing	4	476
5	Spherical Bearing for Cross Shaft	2	827
6	Spring Washer	4	3096
7	Distance Piece	2	*NLA 1642
not shown	Rubber Boot, Parking Brake Lever (rectangular Hole)	1	6356

*NLA = No longer available.