

Ill. No.	Part No.	Description	Qty. Rqd.
----------	----------	-------------	-----------

CYLINDER HEAD

REMARKS LEGEND -

Engine (e) numbers:

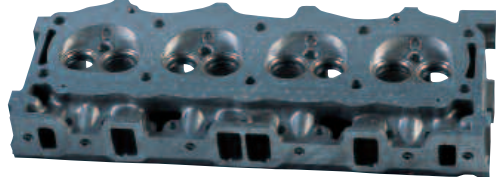
31D = 3.5 liter; 38D = 3.9 liter through 1992;

36D = 3.9 liter from 1993; 40D = 4.2 liter.

MONEY-SAVING KITS NOTED IN RED TYPE

1	LDF108090G	CYLINDER HEAD ASSEMBLY, new <i>Call for application information</i>	2
2	9012	REBUILD KIT, cylinder head <i>Includes valves, valve springs, caps, cotters and guides, plus cylinder head gasket set; (e) 31D engines</i>	1
	9013	REBUILD KIT, cylinder head <i>Includes valves, valves, springs, caps, cotters and guides, plus cylinder head gasket set; (e) 38D, 36D engines</i>	1

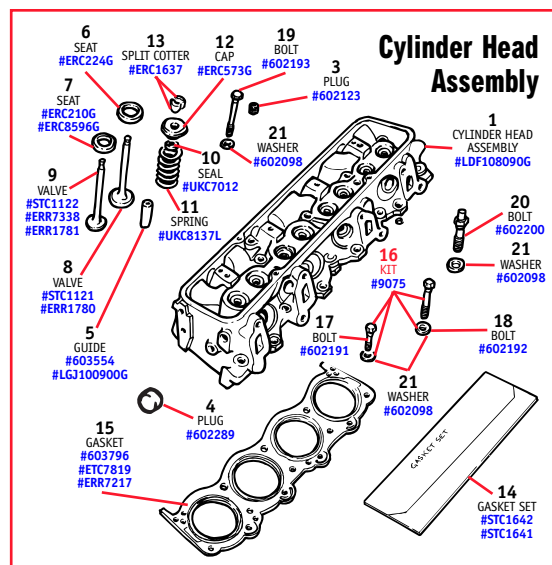
1
CYLINDER HEAD ASSEMBLY
#LDF108090G



2
CYLINDER HEAD REBUILD KIT
#9012
#9013



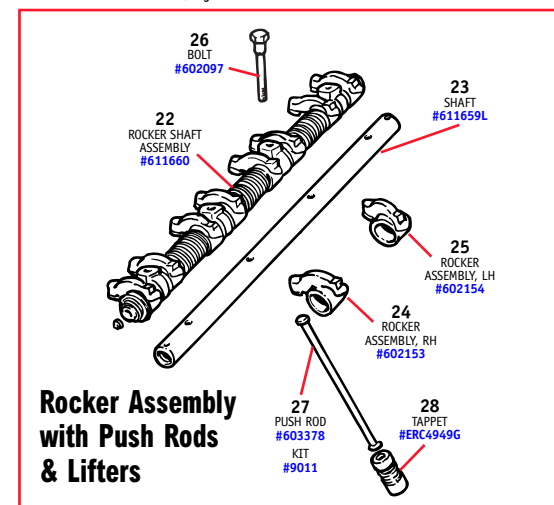
Ill. No.	Part No.	Description	Qty. Rqd.
----------	----------	-------------	-----------



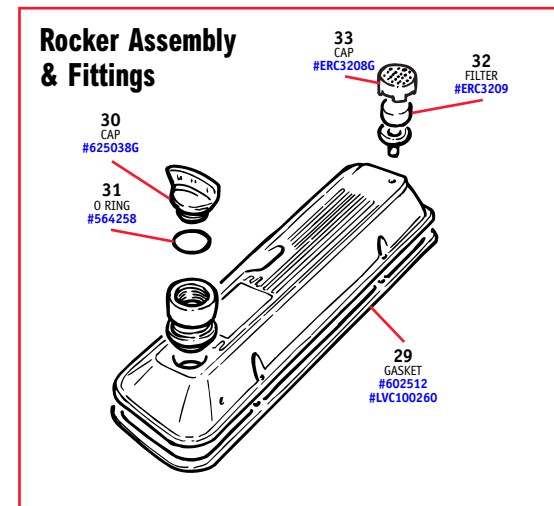
3	602123	PLUG, core	4
4	602289	PLUG, cup	4
5	603554	GUIDE, valve <i>(e) 31D, 38D, up to (e) 36D14149A</i>	16
	LGJ100900G	GUIDE, valve <i>From (e) 36D14150A on; 40D</i>	16
6	ERC224G	SEAT, intake valve	8
7	ERC210G	SEAT, exhaust valve <i>(e) 31D engines</i>	8
	ETC8596G	SEAT, exhaust valve <i>(e) 38D engines</i>	8
8	STC1121	VALVE, intake <i>(e) 31D engines</i>	8
	ERR1780	VALVE, intake <i>From (e) 36D14150A on; 40D</i>	8
9	STC1122	VALVE, exhaust <i>(e) 31D engines</i>	8
	ERR7338	VALVE, exhaust <i>(e) 38D; up to (e) 36D14149A</i>	8
	ERR1781	VALVE, exhaust <i>From (e) 36D14150A on; 40D</i>	8
10	UKC7012	SEAL, intake valve stem	8
11	UKC8137L	SPRING, valve	16
12	ERC573G	CAP, valve spring	16
13	ERC1637	SPLIT COTTER, valve	32
14	STC1642	GASKET SET, cylinder head <i>(e) 31D engines</i>	1
	STC1641	GASKET SET, cylinder head <i>(e) 38D, 36D, 40D engines</i>	1
15	603796	GASKET, cylinder head <i>(e) 31D engines</i>	1
	ETC7819	GASKET, cylinder head <i>(e) 38D; up to (e) 36D25154A, 40D09581B</i>	1
	ERR7217	GASKET, cylinder head <i>From (e) 36D25155A, 40D09582B</i>	1
16	9075	KIT, cylinder head bolts <i>Includes items 17 - 21</i>	1
	9224A	KIT, head bolt with composite gasket <i>From (e) 31D, 38D, 36D, 40D</i>	1
17	602191	BOLT, cylinder head	8
18	602192	BOLT, cylinder head	13
19	602193	BOLT, cylinder head	6
20	602200	BOLT, special, cylinder head	1
21	602098	WASHER, cylinder head bolt	28

Ill. No.	Part No.	Description	Qty. Rqd.
----------	----------	-------------	-----------

22	611660	ROCKER SHAFT ASSEMBLY	1
23	611659L	SHAFT, rocker	1
24	602153	ROCKER ASSEMBLY, RH	8
25	602154	ROCKER ASSEMBLY, LH	8
26	602097	BOLT, rocker shaft assy to cylinder head	8
27	603378	PUSH ROD	16
	9011	KIT, hydraulic tappets, set of 16	1
28	ERC4949G	TAPPET, hydraulic	16



Rocker Assembly
with Push Rods
& Lifters



29	602512	GASKET, rocker cover, cork	2
	LVC100260	GASKET, rocker cover, rubber	2
	LVC100260G	GASKET, rocker cover, rubber, genuine	*NLA
30	625038G	CAP, oil filler	1
31	564258	O RING, oil filler cap and PCV valve	2
32	ERC3209	FILTER, rocker cover	1
33	ERC3208G	CAP, rocker cover filter	1

*NLA = No Longer Available