

JTL No.	Part No.	Description	Qty. Rqd.
---------	----------	-------------	-----------

STEERING

REMARKS LEGEND -

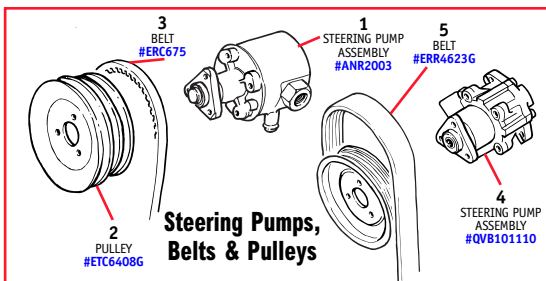
Vehicle i.d. (v) numbers:

HA = 1987 model year; MA - 1991 model year;

NA = 1992 model year; RA = 1994 model year;

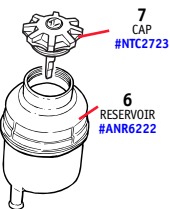
SA = 1995 model year.

MONEY-SAVING KITS NOTED IN RED TYPE



- | | | | |
|---|-----------|----------------------------------------------------------------|---|
| 1 | ANR2003 | STEERING PUMP ASSEMBLY
Up to (v) RA647649 | 1 |
| 2 | ETC6408G | PULLEY, twin groove, power steering pump
Up to (v) RA647649 | 1 |
| 3 | ERC675 | BELT, power steering pump
Up to (v) RA647649 | 1 |
| 4 | QVB101110 | STEERING PUMP ASSEMBLY
From (v) SA647650 on | 1 |
| 5 | ERR4623G | BELT, polyvee
From (v) SA647650 on | 1 |

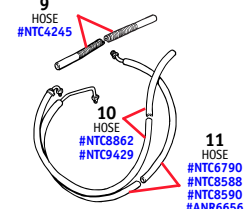
Steering Fluid Reservoir & Cap



- 8
HOSE KIT
#9397
#9397A
#9397C

- | | | | |
|---|---------|------------------------------------------------------------------------|---|
| 6 | ANR6222 | RESERVOIR, steering fluid | 1 |
| 7 | NTC2723 | CAP, steering fluid reservoir | 1 |
| 8 | 9397 | HOSE KIT (not air suspension)
Not air suspension | 1 |
| | 9397A | HOSE KIT (with air suspension)
Air suspension; up to (v) RA647649 | 1 |
| | 9397C | HOSE KIT (with air suspension)
Air suspension; from (v) SA647650 on | 1 |

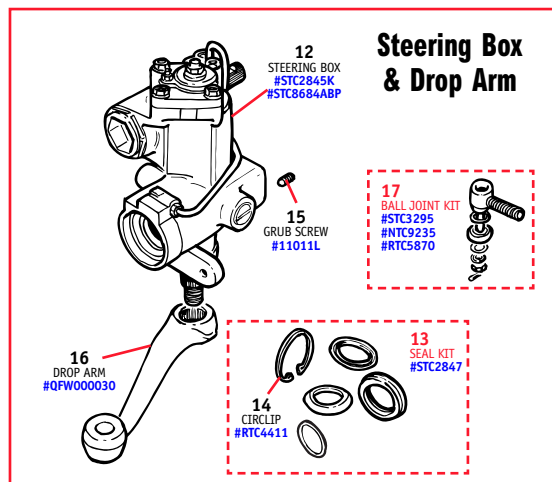
Power Steering Reservoir & Pump Hoses



- 9 HOSE #NTC4245
- 10 HOSE #NTC8862 #NTC9429
- 11 HOSE #NTC6790 #NTC9588 #NTC8590 #ANR6656

JTL No.	Part No.	Description	Qty. Rqd.
---------	----------	-------------	-----------

- | | | | |
|----|---------|-----------------------------------------------------------------------------------|---|
| 9 | NTC4245 | HOSE, reservoir to pump, low pressure | 1 |
| 10 | NTC8862 | HOSE, box to reservoir
Up to (v) NA610839 | 1 |
| | NTC9429 | HOSE, box to reservoir
From (v) NA610840 on | 1 |
| 11 | NTC6790 | HOSE, pump to box, high pressure
Not air suspension | 1 |
| | NTC8588 | HOSE, pump to box (pump end), high pressure
Air suspension; up to (v) RA647649 | 1 |
| | NTC8590 | HOSE, pump to box (box end), high pressure
Air suspension; up to (v) RA647649 | 1 |
| | ANR6656 | HOSE, pump to box, high pressure
Air suspension; from (v) SA647650 on | 1 |



- | | | | |
|----|------------|--------------------------------------------------------------------|---|
| 12 | STC2845K | STEERING BOX, remanufactured, exchange | 1 |
| | STC8684ABP | STEERING BOX, new, genuine, exchange | 1 |
| 13 | STC2847 | SEAL KIT, steering box | 1 |
| 14 | RTC4411 | CIRCLIP, steering box | 1 |
| 15 | 11011L | GRUB SCREW, steering box | 1 |
| 16 | QFW000030 | DROP ARM
Up to (v) NA615503 | 1 |
| 17 | STC3295 | BALL JOINT KIT, drop arm to eye
Up to (v) NA615503 | 1 |
| | NTC9235 | DROP ARM
From (v) NA615504 on | 1 |
| | RTC5870 | BALL JOINT, drop arm to rod end, LH thread
From (v) NA615504 on | 1 |
| 18 | 9375 | BALL JOINT KIT, steering
Up to (v) NA615503 | 1 |
| | 9375L | BALL JOINT KIT, steering
From (v) NA615504 on | 1 |

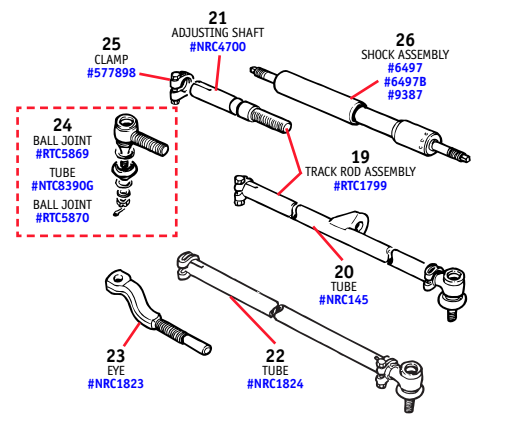


- 18 BALL JOINT KIT #9375 #9375L

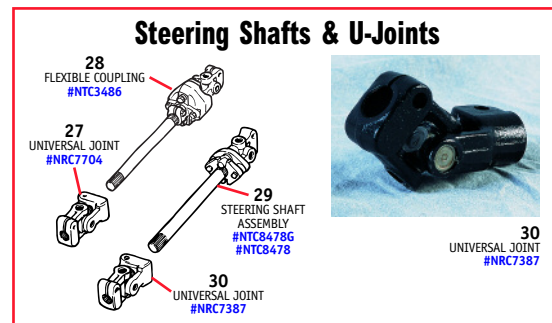
*NLA = No Longer Available

JTL No.	Part No.	Description	Qty. Rqd.
---------	----------	-------------	-----------

Steering Pumps, Track Rods & Cross Rods



- | | | | |
|----|----------|--------------------------------------------------------|---|
| 19 | RTC1799 | TRACK ROD ASSEMBLY | 1 |
| 20 | NRC145 | TUBE, track rod | 1 |
| 21 | NRC4700 | ADJUSTING SHAFT, track rod | 1 |
| 22 | NRC1824 | TUBE, cross rod
Up to (v) NA615503 | 1 |
| 23 | NRC1823 | EYE, cross rod
Up to (v) NA615503 | 1 |
| 24 | RTC5869 | BALL JOINT, track and cross rods
RH thread | 3 |
| | NTC8390G | TUBE, cross rod
From (v) NA615504 on | 1 |
| | RTC5870 | BALL JOINT, rod end, LH thread
From (v) NA615504 on | 1 |
| 25 | 577898 | CLAMP, track and cross rods | 5 |
| 26 | 6497 | SHOCK ASSEMBLY, steering, O.E. | 1 |
| | 6497B | SHOCK ASSEMBLY, steering, Bilstein | 1 |
| | 9387 | SHOCK ASSEMBLY, steering, OME | 1 |



- | | | | |
|----|----------|-------------------------------------------------------------------------|------|
| 27 | NRC7704 | UNIVERSAL JOINT, steering shaft, lower
Up to (v) MA601606 | 1 |
| 28 | NTC3486 | FLEXIBLE COUPLING, steering shaft
Up to (v) MA601606 | 1 |
| 29 | NTC8478G | STEERING SHAFT ASSEMBLY, genuine
From (v) MA601607 to RA647649 | *NLA |
| | NTC8478 | STEERING SHAFT ASSEMBLY
From (v) MA601607 to RA647649 | 1 |
| 30 | NRC7387 | UNIVERSAL JOINT, steering shaft, lower
From (v) MA601607 to RA647649 | 1 |

Steering



TO ORDER, CALL 1-800-533-2210