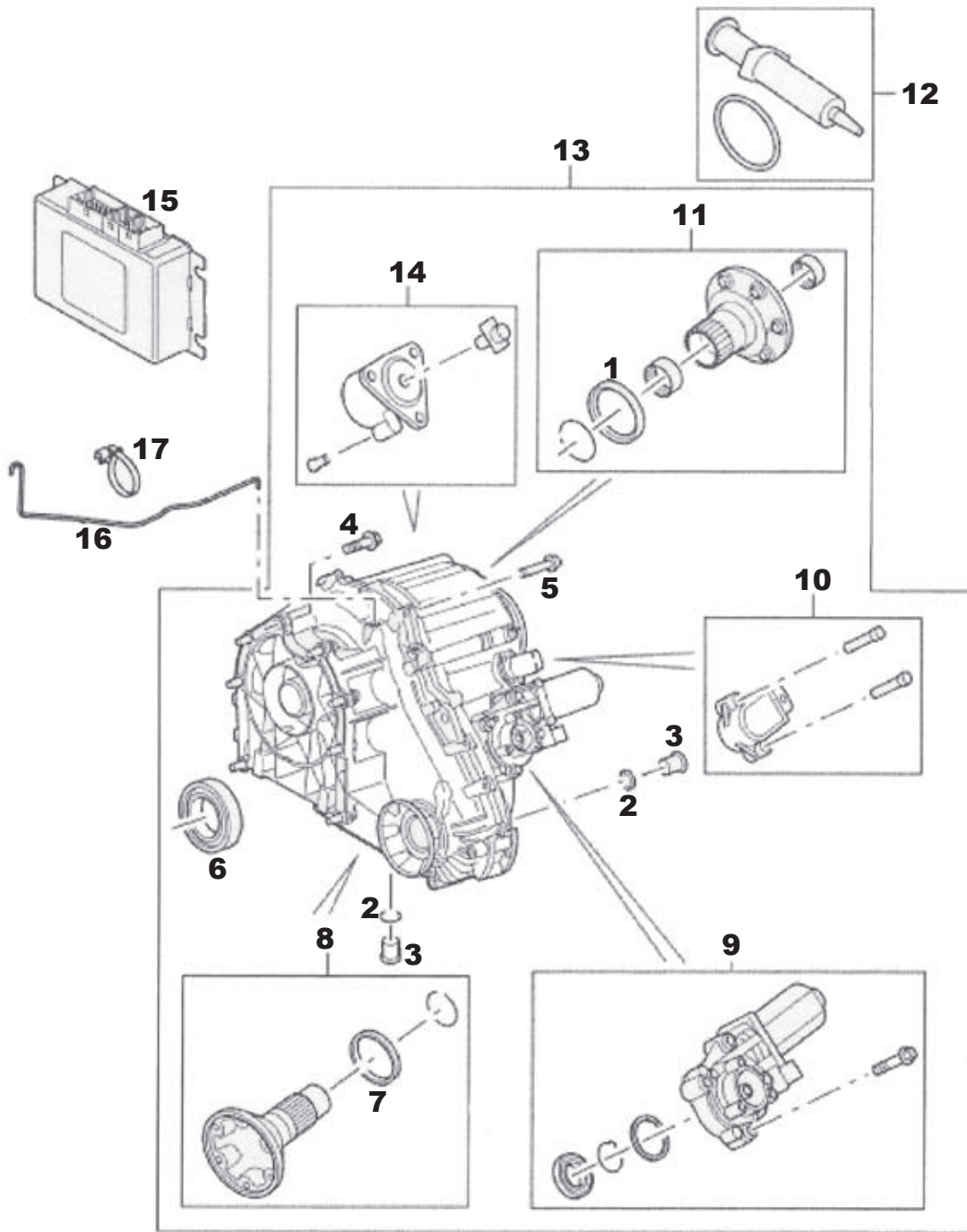


Transfer Case



- | | | | |
|----------------------------------|-----------|-------------------------------------|-----------|
| (1) <u>Seal:</u> | IZB500050 | (10) <u>Sensor:</u> | IAB500191 |
| (2) <u>Seal:</u> | IYF500030 | (11) <u>Output Shaft, Rear:</u> | IEA500041 |
| (3) <u>Drain Plug:</u> | IYB500020 | (12) <u>O-Ring:</u> | IYX500050 |
| (4) <u>Bolt:</u> | FT110357 | (13) <u>Transfer Case Assembly:</u> | IAB500280 |
| (5) <u>Bolt:</u> | TYP000190 | (14) <u>Sensor:</u> | IGF500011 |
| (6) <u>Seal:</u> | IZB500030 | (15) <u>Shift Control Module:</u> | NNW512070 |
| (7) <u>Seal:</u> | IZB500040 | (16) <u>Vent Tube:</u> | TRG500150 |
| (8) <u>Output Shaft, Front:</u> | IEA500031 | (17) <u>Clamp:</u> | IYC500030 |
| (9) <u>Shift Motor Assembly:</u> | IGH500040 | | |