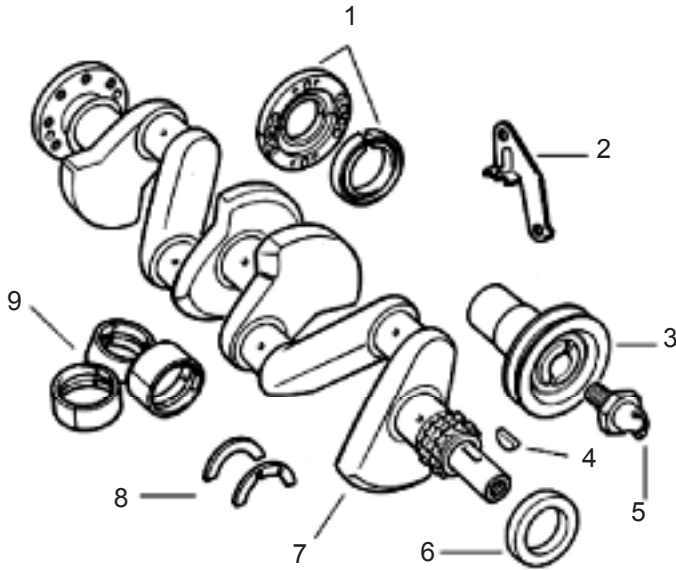
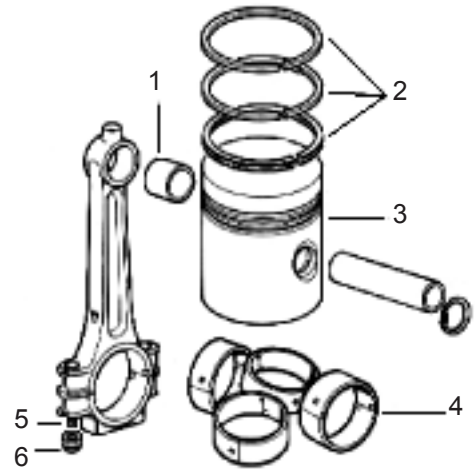


Pistons & Rods

Bottom end



1	Oil seal & retainer kit	542494
	Rear oil seal	542492
2	Timing pointer, single-point	ERC5361
3	Pulley, single belt	ERC5349
	SPEEDY SLEEVE	CR99192
	(repairs grooves behind in pulley in the seal surface)	
4	Pulley key	235770
5	Starter dog	503665
	Starter dog lock tab	247771
6	Front oil seal	ERR6490
7	Crankshaft, gas & diesel	527167
8	Thrust washers (IIA, III)	
	STD	RTC2825
	.0025	538131
	.0050	538132
	.0100	538134
9	Main bearings (IIA, III)	
	STD	RTC1729
	.010	RTC1729/10
	.020	RTC1729/20
	.030	RTC1729/30



1	Bushing, piston pin (4 req)	528004
2	rings, piston (1 set req)	
	STD	RTC4190
	.010	RTC419010
	.020	RTC419020
	.030	RTC419030
	.040	RTC419040
3	piston assembly, includes rings & pin	
	STD	RTC4188
	.010	RTC418810
	.020	RTC418820
	.030	RTC418830
	.040	RTC418840
	.060	RTC418860
4	Bearings, rod (IIA, III)	
	STD	RTC1730
	.010	RTC173010
	.020	RTC173020
	.030	RTC173030
	.040	RTC173040
5	Rod cap bolt (8 req)	ERC8751
6	Rod bolt nut (8 req)	ETC5155

