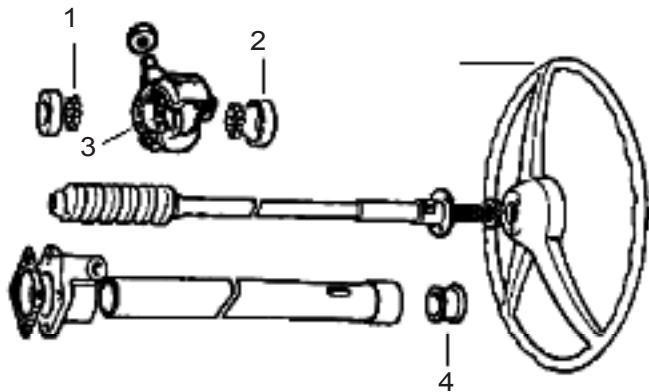


# Steering & Shocks

## 37

### Steering Column



- 1 Ball bearings, 9/32 (10 req per race) BLS109L
- 2 Race (2 req) 271384
- 3 Ball bearings, 3/8 (12 req) BLS112L
- 4 Bearing (Series III) RTC324
- Rubber strip 348747  
(goes around outer steering column under clamp)

### Shock Absorbers



- 88 Standard Duty
  - Front RTC4230
  - Rear RTC4232
- 88 Heavy Duty
  - Front RTC4234
  - Rear RTC4235
- 109 Civilian Standard Duty
  - Front RTC4483
  - Rear RTC4442

109 Military , 1-ton  
 Front RTC4231      Rear RTC4233  
 (longer for use with extended shackles & bump stop extension 526608)

### Old Man Emu Gas Shocks (requires bushing kit)

- 88, 109 front N41
- 88 Rear N90
- 109 Rear N46
- Urethane shock bushing kit B9



### Complete Steering box and column assembly



Late Series IIA, III

Not currently available

### Shock Bushings

- 109 Rear bottom bushing 552819
- 88 and other 109 bushings 552819
- Cotter pin for shock mounts 4063
- Washer, bushing 264024

### Axle Bump Stops

- All models 241380
- Extension, 109 military, 1-ton 526608
- (for use with extended shackles)

### Check Straps (not for parabolics)

- 88 left 598854
- 88 right 237100
- 109 civilian 598598

HELP LINE: 661-257-8634  
 24 HOUR FAX: 661-257-9765



Check our web site for our **Specials**  
[www.britishpacific.com](http://www.britishpacific.com)