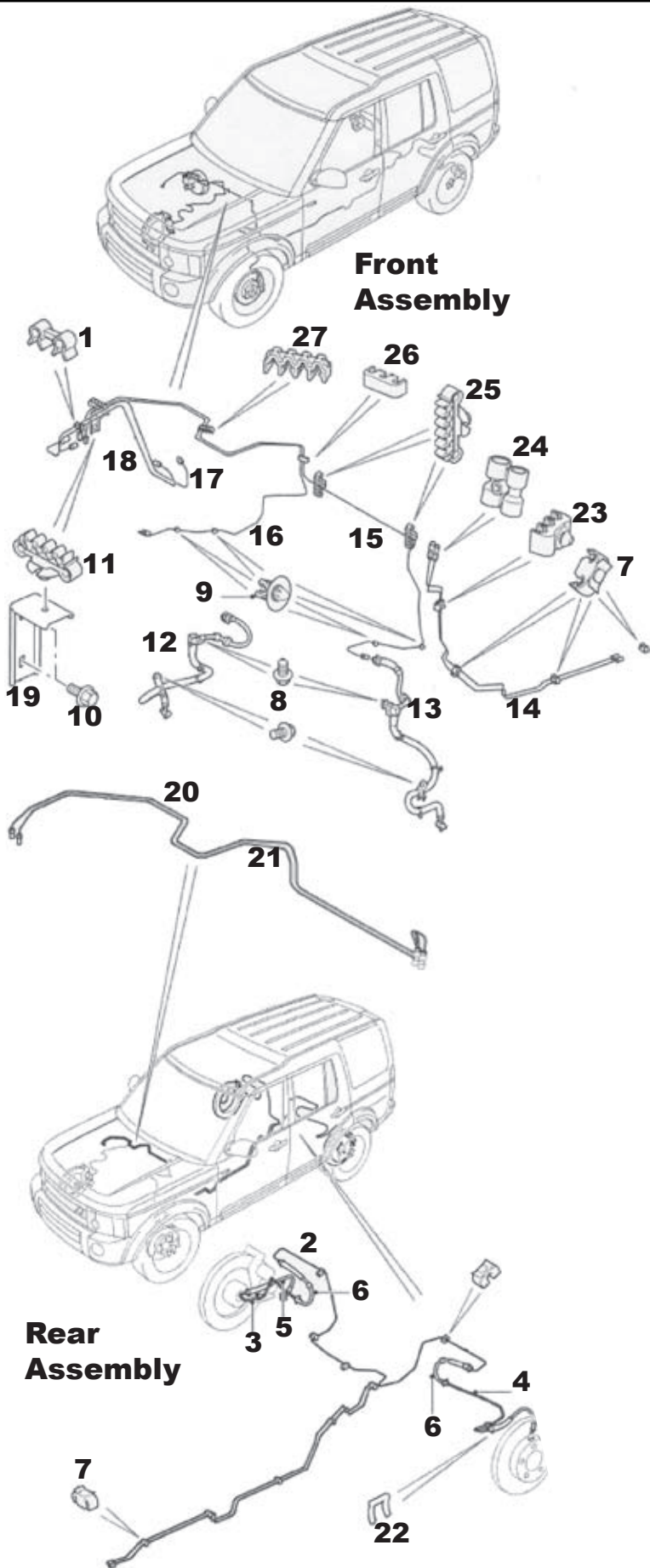


Brake Lines



- | | | | |
|------|----------------------------|----|-----------|
| (1) | <u>Clip, Spacer:</u> | | SYC101141 |
| (2) | <u>Upper, RH:</u> | | SGB500043 |
| (3) | <u>Lower, RH:</u> | | SGB001813 |
| (4) | <u>Upper, LH:</u> | | SGB500034 |
| (5) | <u>Middle, RH:</u> | | SHB500270 |
| (6) | <u>Flex Line:</u> | | SHB500013 |
| (7) | <u>Clip, Double:</u> | | ANR1864 |
| (8) | <u>Screw, Clip:</u> | | FS108146 |
| (9) | <u>Clip, Single:</u> | | EDP7037L |
| (10) | <u>Screw, Bracket:</u> | | FS106127L |
| (11) | <u>Clip, Quad:</u> | | SGK500020 |
| (12) | <u>Right Front Flex:</u> | | SHB500180 |
| (13) | <u>Left Front Flex:</u> | | SHB500039 |
| (14) | <u>Hard Line:</u> | LH | SGB501440 |
| | | RH | SGB501450 |
| (15) | <u>Hard Line, LH:</u> | | SGB001688 |
| (16) | <u>Hard Line, RH:</u> | | SGB001697 |
| (17) | <u>Hard Line:</u> | | SGB001664 |
| (18) | <u>Hard Line:</u> | | SGB001674 |
| (19) | <u>Bracket:</u> | | ADU780051 |
| (20) | <u>Hard Line, Rear:</u> | | SGB001705 |
| (21) | <u>Hard Line, Forward:</u> | | SGB001715 |
| (22) | <u>Clip, Retaining:</u> | | BNP2227L |
| (23) | <u>Clip, Triple:</u> | | SGK100470 |
| (24) | <u>Clip, End:</u> | | SGH100050 |
| (25) | <u>Clip, Quin:</u> | | SGK100820 |
| (26) | <u>Clip, Spacer:</u> | | SGK100990 |
| (27) | <u>Clip, Quad:</u> | | SYC500040 |