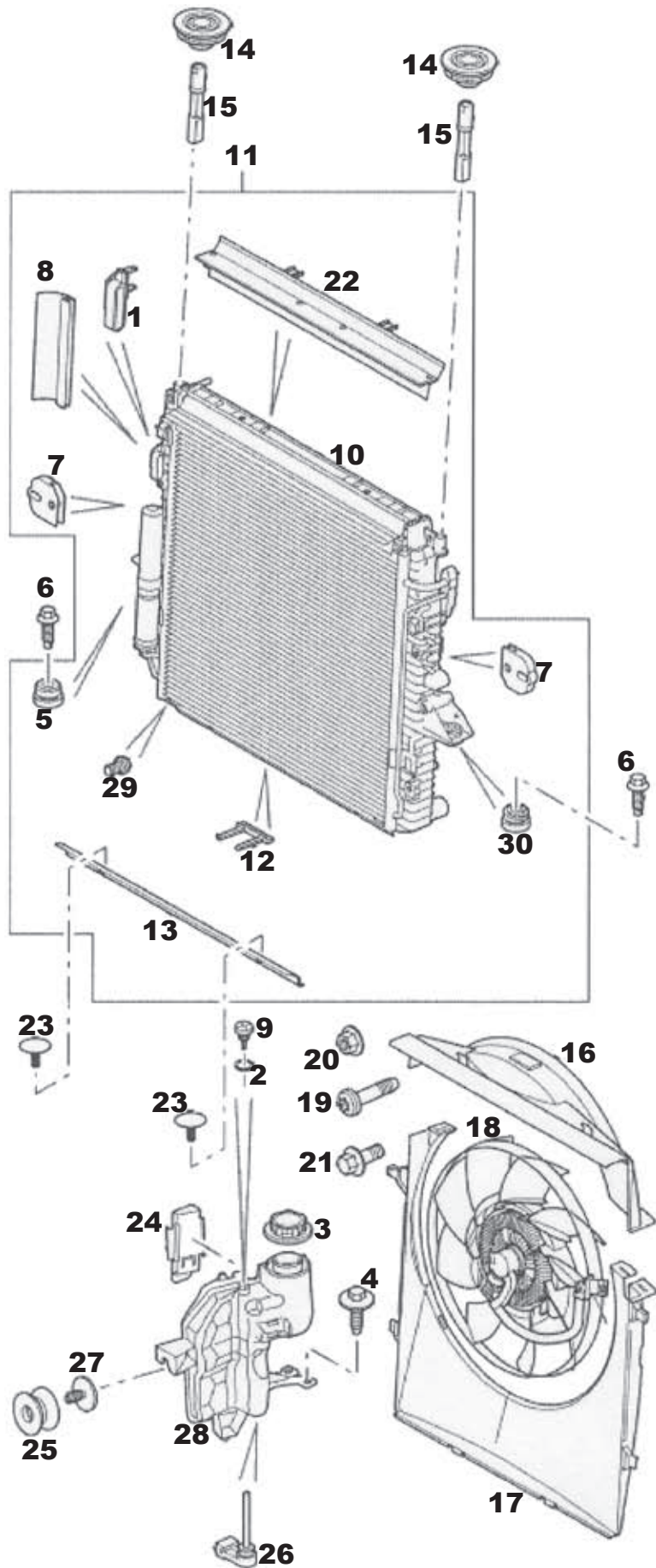


Radiator Assembly



- | | | |
|------|-------------------------------|------------------------------|
| (1) | <u>Holder:</u> | IPN500010 |
| (2) | <u>O-Ring:</u> | LR007315 |
| (3) | <u>Cap, Over Flow Bottle:</u> | PCD000090 |
| (4) | <u>Bolt:</u> | PYP500040 |
| (5) | <u>Insulator, RH:</u> | PCG500011 |
| (6) | <u>Bolt:</u> | PYP000221 |
| (7) | <u>Bracket:</u> | PCU500220 |
| (8) | <u>Cover:</u> | PZB500020 |
| (9) | <u>Screw:</u> | LR007314 |
| (10) | <u>Radiator:</u> | PCC500630 |
| (11) | <u>Radiator Assembly:</u> | PCC500093 |
| (12) | <u>Clip:</u> | PYC500080 |
| (13) | <u>Bracket:</u> | PCZ500010 |
| (14) | <u>Grommet:</u> | PDI500012 |
| (15) | <u>Pin:</u> | PDG500045 |
| (16) | <u>Upper Cowl:</u> | PGK500200 |
| (17) | <u>Lower Cowl:</u> | PGK500210 |
| (18) | <u>Fan, Engine:</u> | V8 PGG500360
V6 PGG500350 |
| (19) | <u>Bolt:</u> | MYP100500L |
| (20) | <u>Nut:</u> | AL608031 |
| (21) | <u>Bolt:</u> | FS106167L |
| (22) | <u>Upper Support:</u> | DHE500010 |
| (23) | <u>Push Clip:</u> | LR002185 |
| (24) | <u>Mounting Plate:</u> | PCU500091 |
| (25) | <u>Grommet:</u> | KGX500020 |
| (26) | <u>Sensor, Coolant Level:</u> | PCJ500030 |
| (27) | <u>Pin:</u> | AB608068 |
| (28) | <u>Over Flow Bottle:</u> | PCF500015 |
| (29) | <u>Drain Plug:</u> | PYB500020 |
| (30) | <u>Insulator, LH:</u> | PCG500090 |