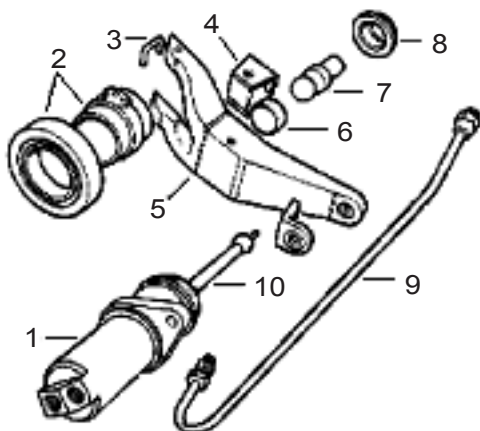


Series III Clutch slave cylinder, Throw out Bearing & Linkage



1	Clutch slave cylinder	591231
	Rebuild kit	8G8600L
	Bleed screw	556508
	Cap for bleed screw nipple	594091
2	Throw out bearing	FTC5200
3	Plastic staple	576203
4	Retainer	571163
5	Clutch release lever	576137
6	Bush	571161
7	Fulcrum	576720
8	Retaining collar	571164
9	Steel line	NRC3287
10	Push rod	576751

Clutch Hydraulic lines

Series II, IIA

Reservoir to master cyl.	562978
For use with replacement fluid reservoir (replacement early style reservoir 582980)	588710
Master cyl. to flex hose, early	570091
Master cyl. to flex hose, '69 on	NRC4222
Hose, flexible, II & IIA through '68	RTC3386
Hose, flexible IIA '69 - '71	RTC4425
Washer, flex hose	233220
Nut for hose	254852

Series III

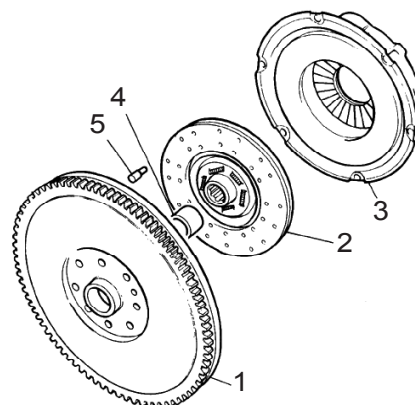
Master cylinder to flex hose	NRC4222
Hose, flexible	RTC5940
Washer, flex hose	233220
Flex tube to slave cyl.	NRC3287

Master clutch cylinders



1	Master cylinder, IIA from '69 & III	
	OEM	STC500100G
	Aftermarket	550732P
	Rebuild kit	8G8837L
	Replacement cap	SJL500030
2	Master cylinder, Ser. II, IIA thru '68	
	OEM	90569126
	Aftermarket	90569126P
	Rebuild kit	8G8837L
	Reservoir can, clutch & brake fluid (Requires 588710 hydraulic line)	582980

Flywheel and Clutch



1	Flywheel ring gear only	506799
2	Clutch disc, 9" Ser. II & IIA thru '66	591704
	Clutch disc, 9.5" Late IIA, III	8510290G
3	Pressure plate, 9" Ser II & IIA thru '66	591705
	Pressure plate, 9.5" Late IIA	571228
	Pressure plate, 9.5" Ser. III	576557
4	Bushing, pilot	LFB500050
5	Dowel pin (3 req)	502116
	Hose, flexible IIA '69 - '71	RTC4425