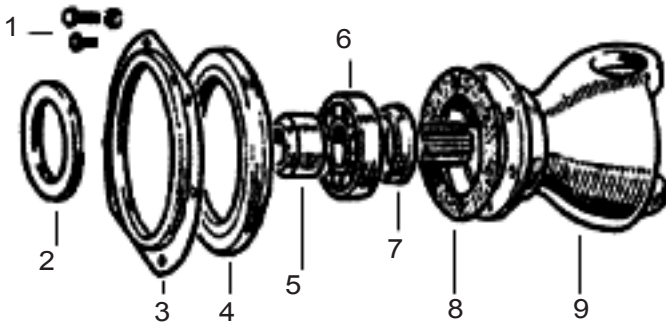
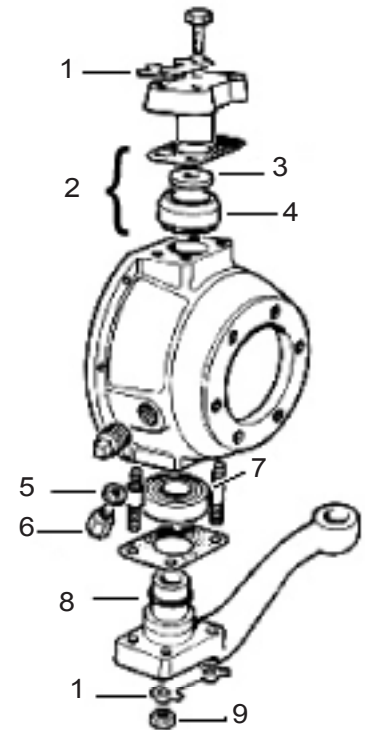


Swivel Ball Related



- 1 Steering stop bolt (one per side) SH404081
- 2 Seal, axle case 217400
(fits inside end of front axle housing)
- 3 Retaining ring for swivel seal 235968
- 4 Seal, swivel RTC3528
- 5* Retainer collar for half shaft bearing 90217398
- 6* Bearing & race, axle half shaft 244150
- 7* Distance piece for half shaft bearing 244151
- 8 Gasket 232413
- 9 Swivel ball 539741

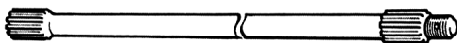
*Note: The retaining collar (5), bearing race (6) and distance piece (7) are pressed on and off the inner axle half shaft as a group and usually requires a press for replacement.



- 1 Lock tab 531001
- 2 Swivel pin kit, aftermarket 532268
Swivel pin kit, genuine 532268G
- 3 Wafer for Railco bush 528702
- 4 Railco bush 539742
- 5 Washer for drain plug 230551
- 6 Drain plug 236070
- 7 Bearing, bottom 217268
- 8 O-ring 531433
- 9 Nut 594104

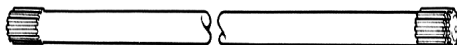
Axles

Rover, Rear



- Long 591379
- Short 591378

Salisbury, Rear



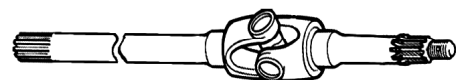
- Long 576768
- Short 576767
- Circlip 549473

Swivel grease



One tube fills one hub, also great for steering boxes
Order STC3435P

Rover, Front



- U-Joint RTC3690