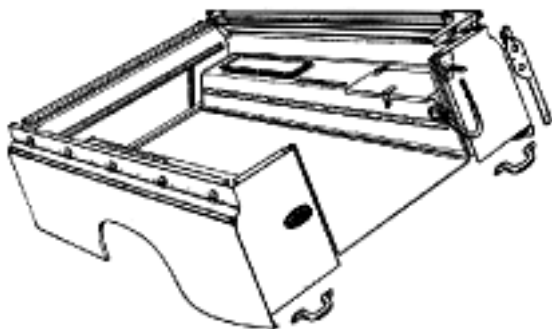


Rear body



Rear quarter panels

88 right side	LR64RH
88 left side	LR64LH

109 two door, right side	347035
109 two door, left side	RTC6260

109 station wagon, right side	MUC3918
109 station wagon, left side	MUC3919

Rear panels (fits all)

Right side	MTC4327
Left side	MTC4328

Rear corners, galvanized

Right side	333253
Left side	333254

Badge

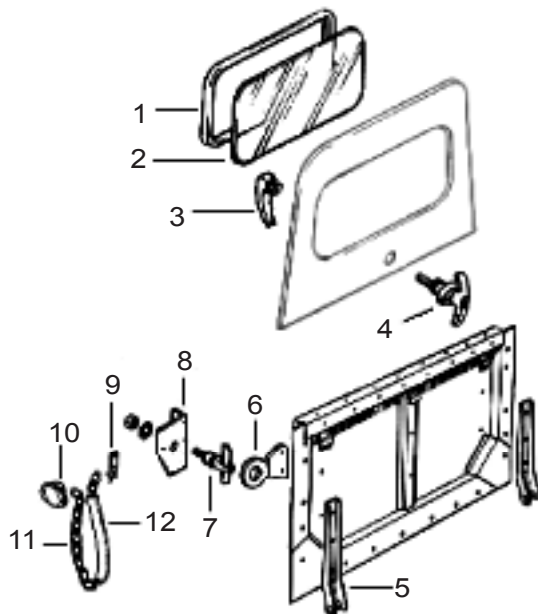
Land Rover	NLA
Station wagon die cast one piece	STC3437
Land Rover D90 style, decal	MXC6401

Lifting handle for rear frame (black)	NTC5116
Black Defender style only, galvanized	NLA

Rocker Panels (bottom sills)



Front right (All panels 2-27/32" wide)	337942
Front left	337943
Rear right, 88	337938
Rear left, 88	337938
Rear right, 109	337710
Rear left, 109	337711



Lift Gate

Additional parts available on special order. Inquire.

1 Window seal	302177
Seal locking bead	302178
2 Window glass, clear	MTC3475
3 Inside handle	302207
4 Handle assembly, outer, with lock	306461
Retainer, bottom seal	332122

Tail Gate

Tail gate assembly, Ser II, IIA style	LR130
Tail gate assembly, Ser III	320604
(tail gate assy. comes with items # 5, 6 & 9)	
5 Hinge, tailgate, left	MUC8741
Hinge, tailgate, right	MUC8740
Spring, hinge lock	WS600091
Cotter pin, hinge lock	PS612080
6 Eye for latch (fits both sides)	MUC8746
7 Cotter antiluce (fits both sides)	MUC8748
Lock nut for cotter antiluce	NY112041L
8 Corner plate for cotter antiluce, left	ASR2451
Corner plate for cotter antiluce, right	ASR2452
9 Pig tail chain latch, left	332446
Pig tail chain latch, right	332445
10 Securing bracket for chain	302825
Fixing pin, secures chain to #10	302828
11 Chain	MTC1827
12 Chain cover, black (2 req per chain)	330422
(Protects chains from rattling)	