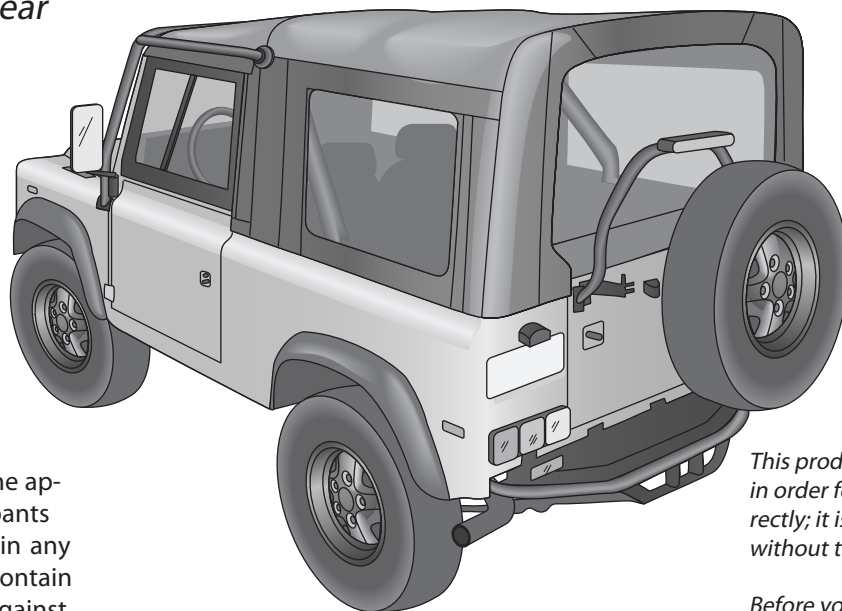


# Full Top Deck Kit Installation Instructions

*For: Defender 90  
1997 Model Year*

*Part Number: 71741AM*



## WARNING

This product is designed primarily to enhance the appearance of the vehicle and to shield the occupants from ordinary weather conditions. Do not rely in any way on the components of this product to contain occupants within the vehicle, or to protect against injury or death in the event of an accident. This product will not protect the occupants from falling objects. Never operate vehicle in excess of manufacturer's specifications.

**WEAR SEAT BELTS AT ALL TIMES**

Read and follow, precisely, all installation instructions provided when installing the soft top. Failure to do so may result in a poor fitting canopy and could place occupants of the vehicle in a potentially dangerous situation.

## Installation Tips

*This product requires a D90 Safari Cage extension in order for this product to fit and function correctly; it is not intended for installation or use without the D90 Safari Cage Kit.*

*Before you begin installing this canopy assembly, read all instructions thoroughly. Below are a few tips to make this installation easier.*

### For a smooth fit:

For ease in installation, the canopy should be installed at temperatures above 72 °F. Below this temperature, the canopy may contract an inch or more, making it difficult to fit to the vehicle.

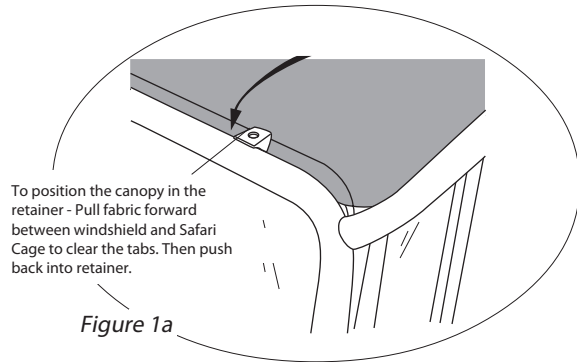
It is normal for a canopy to contract and wrinkle when stored in the shipping carton. Within a few days after the installation, the canopy will relax and the wrinkles will disappear.

## Parts List

Canopy Fabric

Qty - 1

*Note: When unpacking the canopy, do not unfold it. It is folded in the box to make it easier to install on the vehicle.*



### Step One

Carefully unpack the canopy. The front of the canopy has a plastic strip sewn along the edge.

Drape the canopy fabric over the front of the vehicle with the plastic strip toward the front. Slip the plastic strip on the front of the canopy down between the light bar and the windshield, past the tabs on the light bar (Figure 1a). Pull the deck back so that the plastic slips into the retainer above the windshield. Tuck the fabric flaps above the doors under the Safari Cage. Center the plastic strip in the retainer and snap front corners of the canopy to the windshield (Figure 1b).

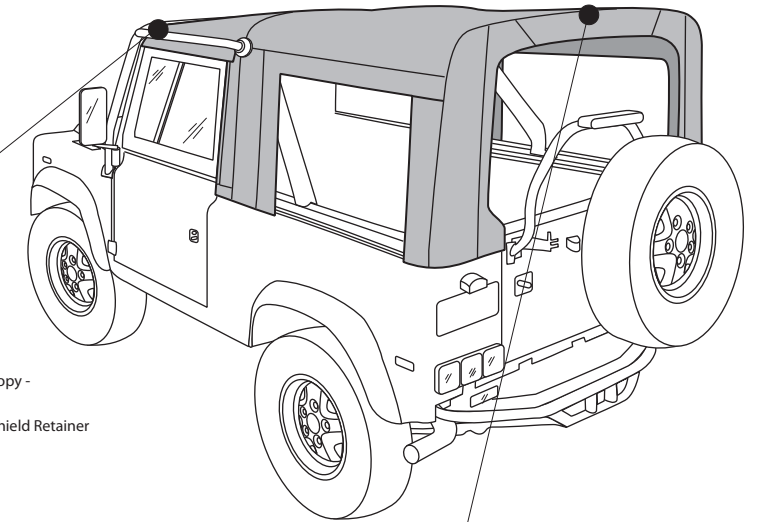
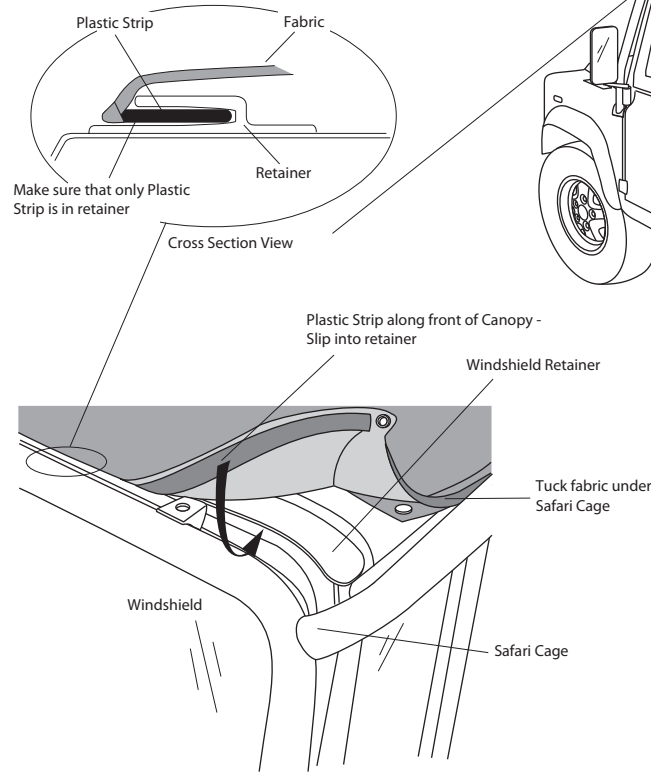
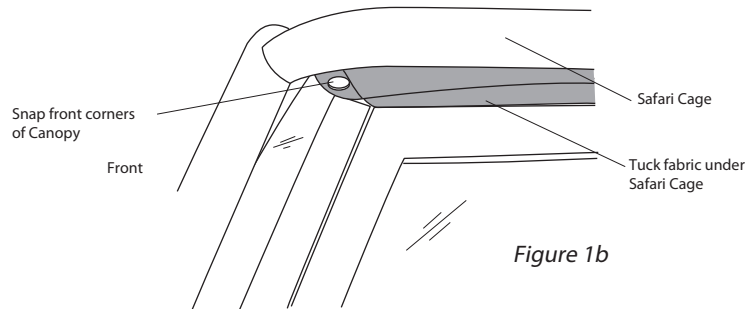


Figure 2

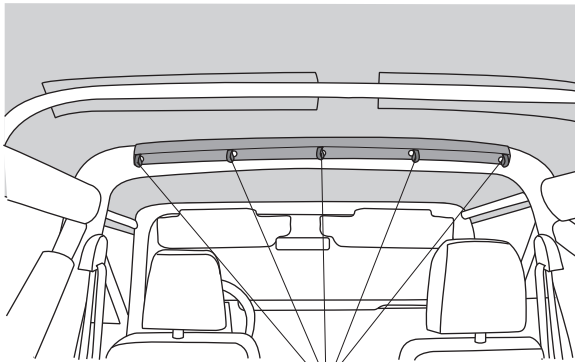
Snap a few of the straps to the rear bar of the Safari Cage to hold the fabric in place.

### Step Two

Pull the rear of the canopy back and drape it over the rear bar of the Safari Cage. Snap a few of the straps at the rear of the canopy to the Rear Sport Bar. This will help to hold the canopy fabric in place while completing the next few steps. (Figure 2.)

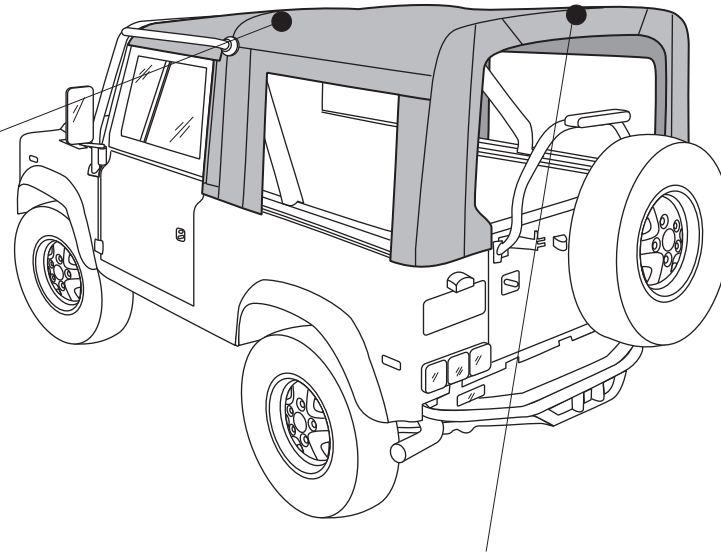
### Step Three

Inside the vehicle, snap the center flap to the center bar of the Safari Cage. To assist in aligning the snaps, pull down and forward on each of the web loops until the snap heads meet and snap. (Figure 3.)

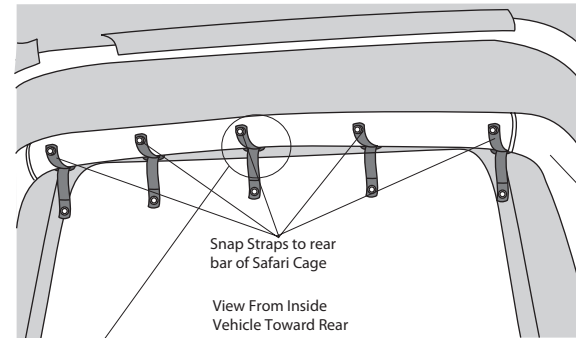


Snap Flap to Center Sport Bar

Figure 3



**CAUTION: DO NOT OVERTIGHTEN THE STRAPS.**  
*Overtightening the straps will cause the canopy fabric to pucker and wrinkle above the rear opening and will affect the fit of the Rear Window and Quarter Windows. In addition this may cause the fabric to tear.*



Rear Bar of Safari Cage

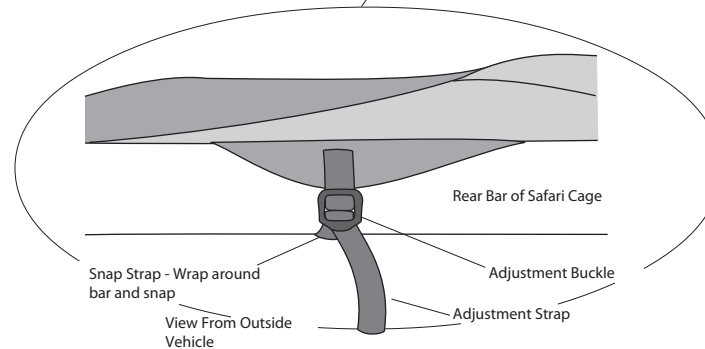
Snap Straps to rear bar of Safari Cage

View From Inside Vehicle Toward Rear

### Step Four

Snap the remaining straps to the rear bar of the Safari Cage.

The double straps and buckles sewn to the rear of the canopy will provide the adjustment necessary for a tight fit. Snap the bottom strap to the sport bar, use the top strap to pull the buckle tight to help position the canopy for the next steps. (Figure 4.)



Rear Bar of Safari Cage

Snap Strap - Wrap around bar and snap

Adjustment Buckle

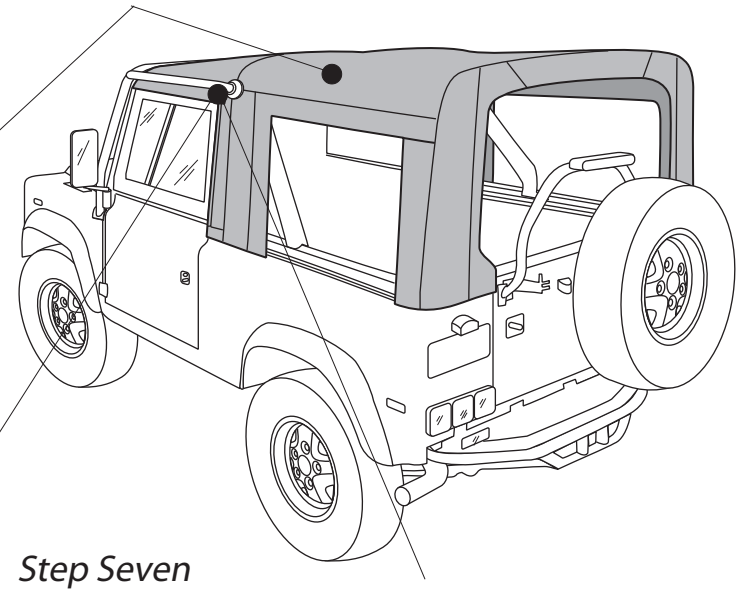
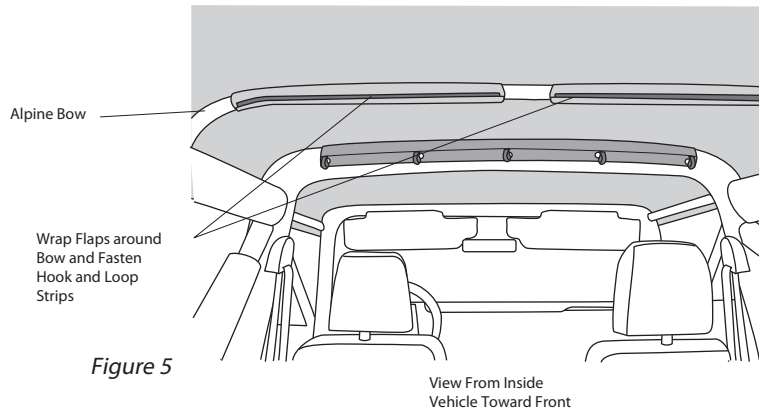
View From Outside Vehicle

Adjustment Strap

Figure 4

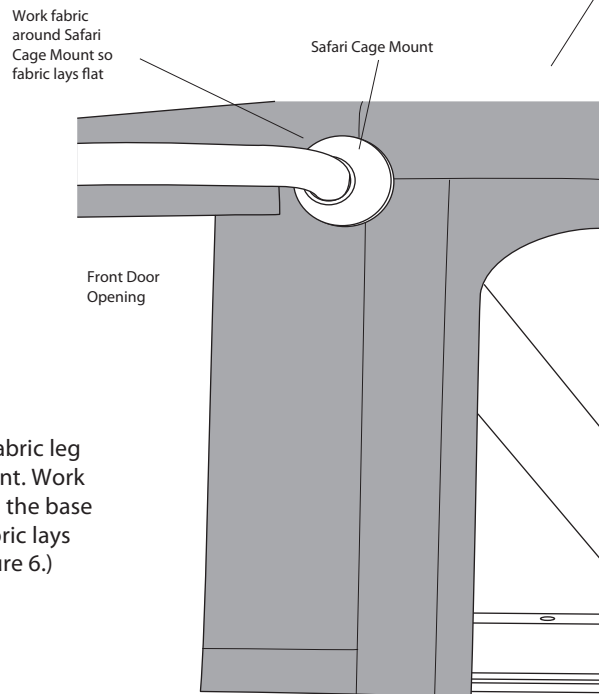
## Step Five

Inside the vehicle, wrap the hook and loop flaps around the Alpine Bow and fasten the hook and loop strips to each other. (Figure 5.)



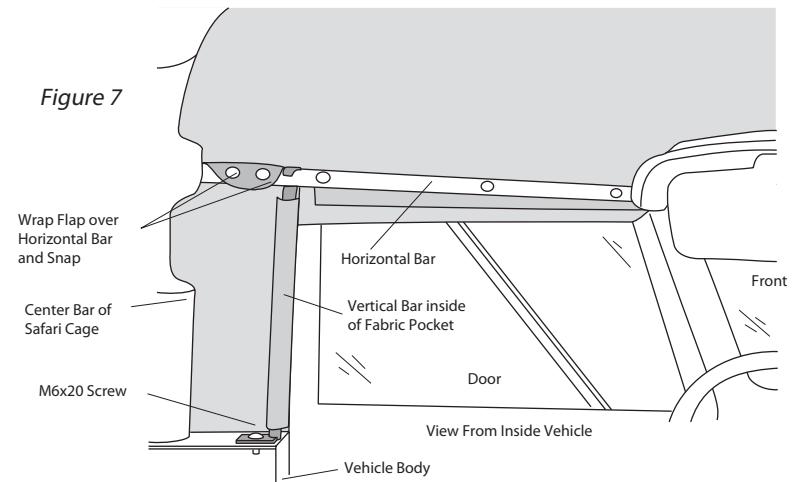
## Step Seven

Insert the Vertical Rod into the pocket of the fabric, insure that the hook on the end of the rod faces to the inside of the vehicle and the flat bar at the bottom of the rod with the hole faces to the rear of the vehicle. Hook the top end of the rod over the Horizontal Rod you installed in Step Four. Install 1 each M6x20 Screw through the hole in the flat bar and into the existing hole in the vehicle. Inside the vehicle, wrap the fabric flap over the top of the Horizontal Bar that goes from the Safari Cage to the windshield, above the door. Snap the flap to the two stud heads on the bar. (Figure 7.)



## Step Six

Behind the door, work the fabric leg around the Safari Cage Mount. Work the fabric into the groove at the base of the mount so that the fabric lays flat around the mount. (Figure 6.)



## Step Eight

Locate the internal flap above the door opening. Wrap the flap around the Horizontal Bar from the bottom and snap it to the bar with the three snaps. (Figure 8.)

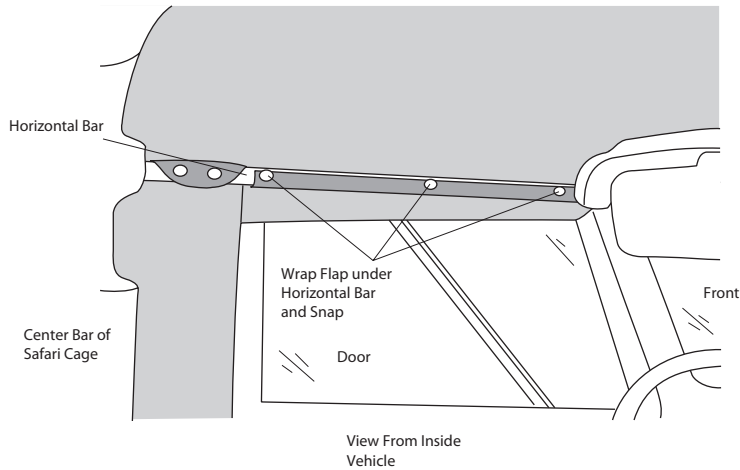


Figure 8

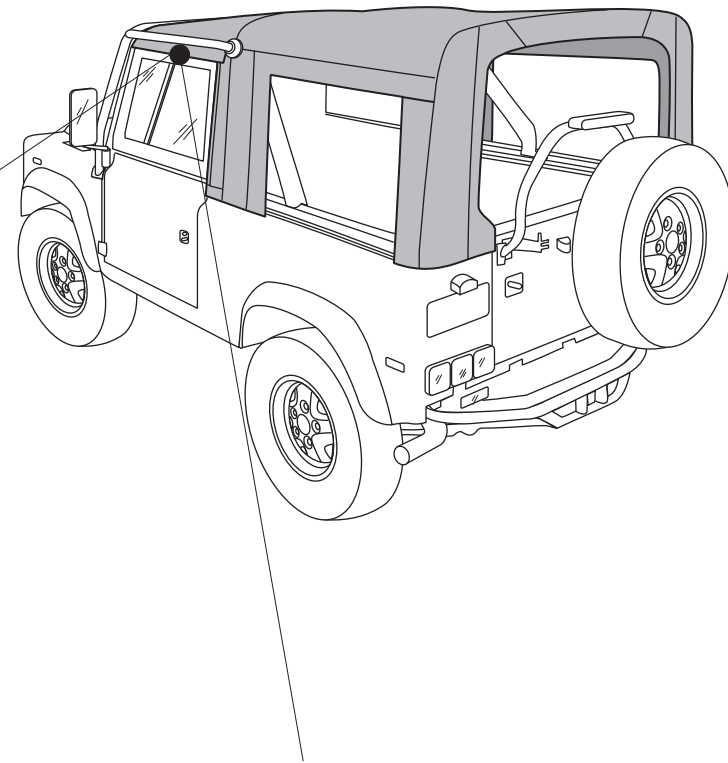
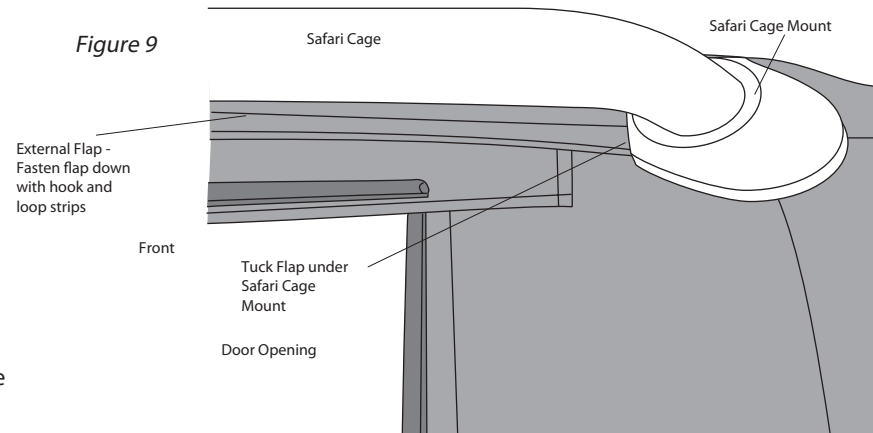


Figure 9



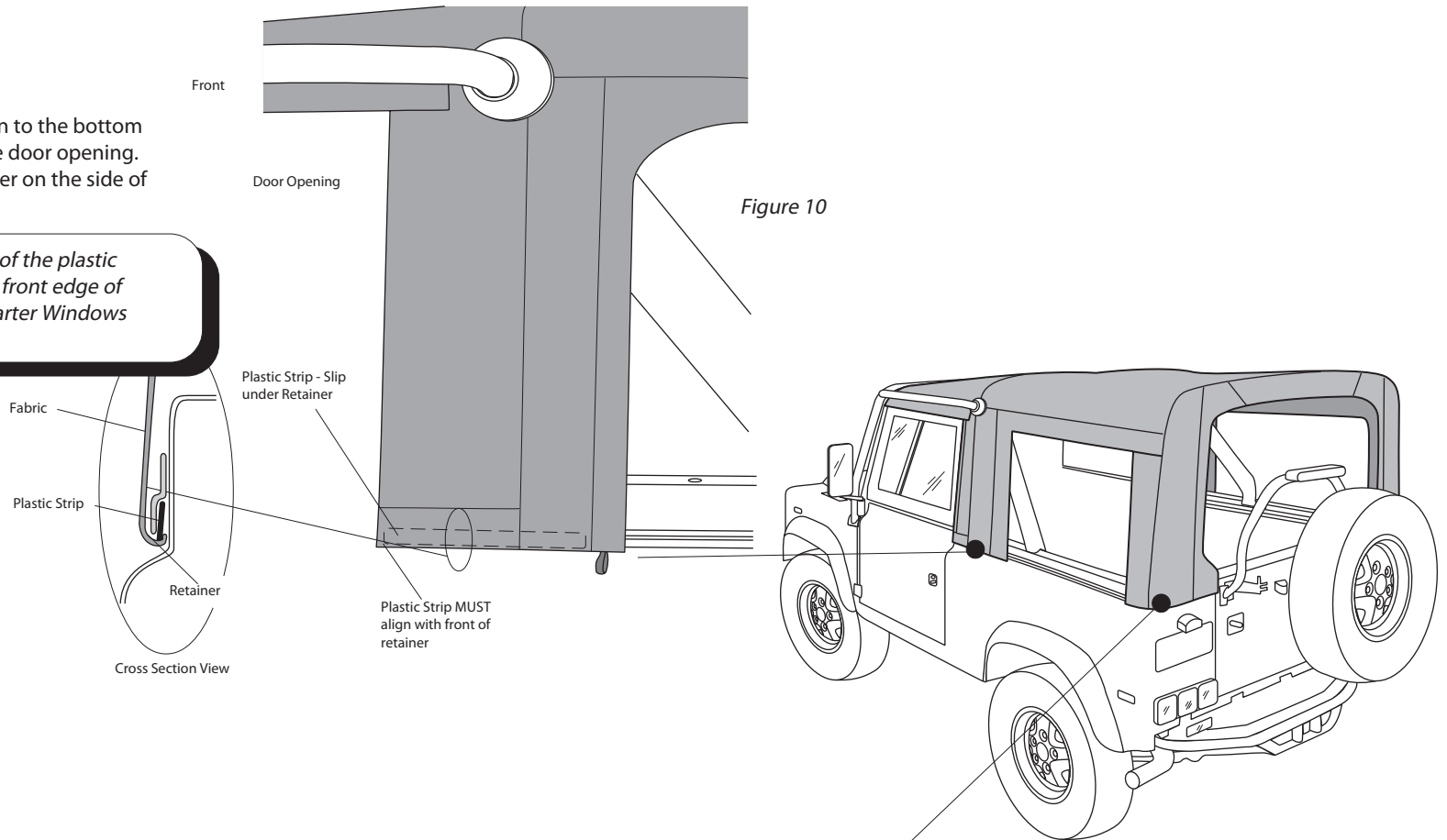
## Step Nine

Locate the external flap above the door opening. Tuck the end of the flap in around the Safari Cage Mount and fasten the hook and loop strips, above the door to each other. (Figure 9.)

## Step Ten

Locate the plastic strip sewn to the bottom of the fabric leg, behind the door opening. Slip the strip into the retainer on the side of the vehicle. (Figure 10.)

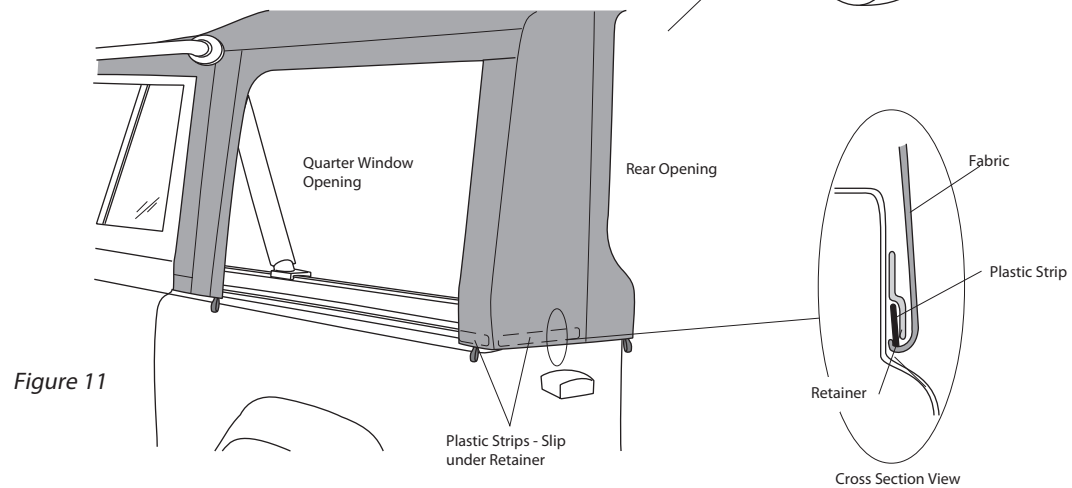
*Note: The front edge of the plastic MUST line up with the front edge of the retainer or the Quarter Windows will not fit properly.*



## Step Eleven

Locate the two plastic strips sewn to the bottom of the rear corner. Slip the strips into the retainers on the side and rear of the vehicle. The corner seam of the canopy should line up with the corner of the vehicle. (Figure 11.)

On the passenger side the plastic strips and canopy fabric will fit around the Spare Tire Mount.



## Step Twelve

Once the canopy is installed, locate the extrusion extending beyond the door at the front of the vehicle. Close the door and use a pair of scissors to trim the extrusion even with the "A" Pillar and the Front Door Seal.

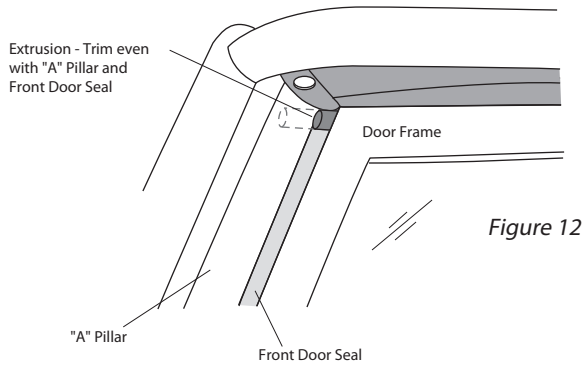


Figure 12

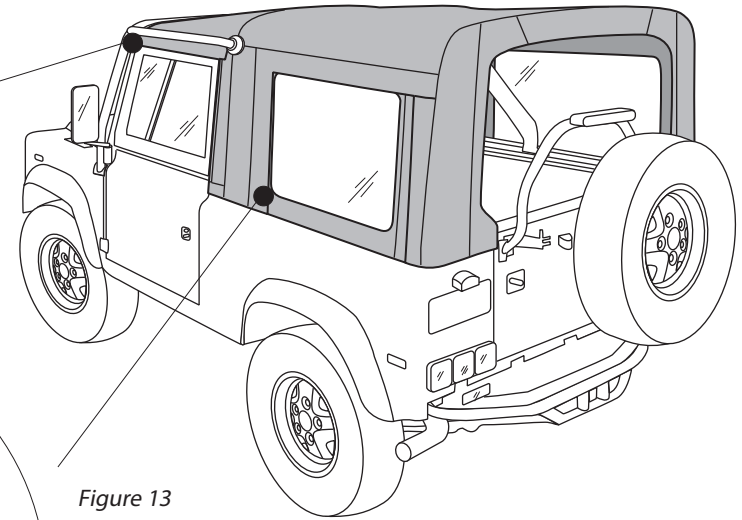
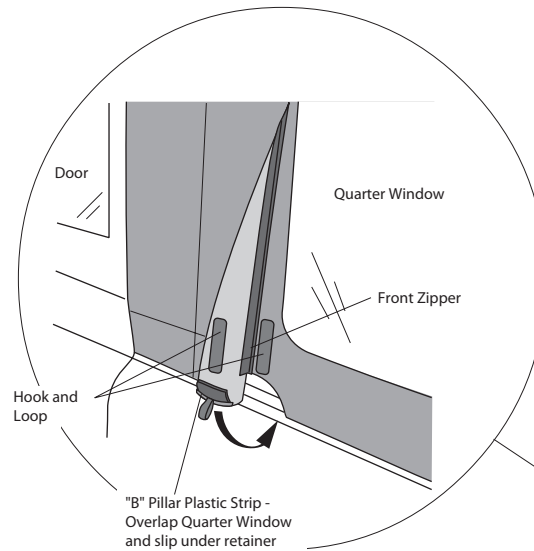


Figure 13

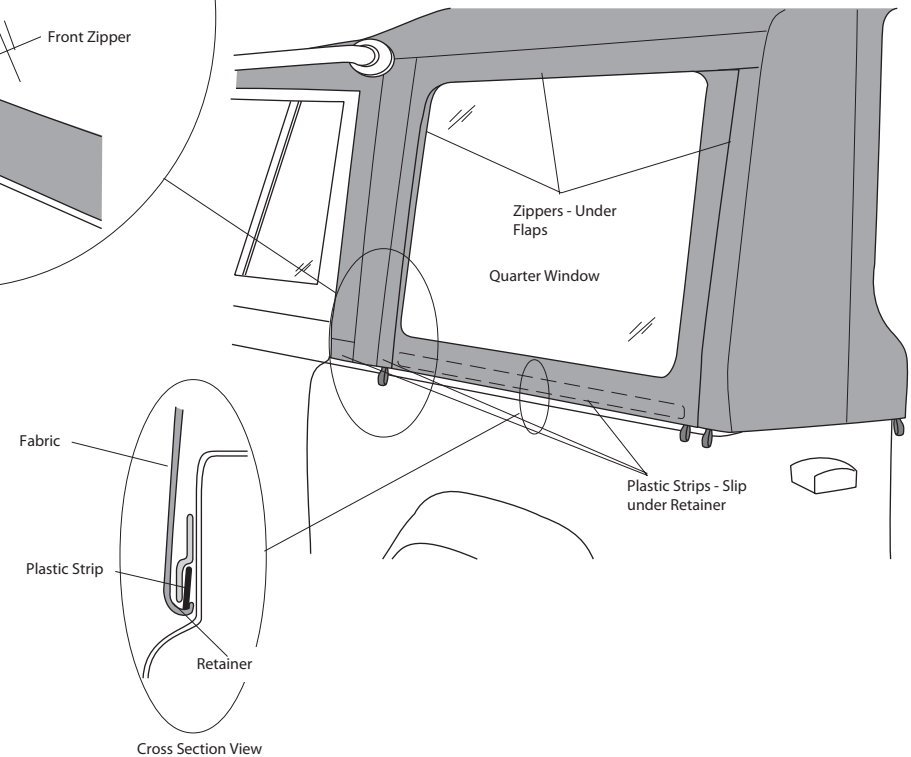


## Step Thirteen

Release the plastic strip on the bottom of the canopy fabric, behind the door opening ("B" pillar area), from the retainer. Orient the Quarter Window with the plastic strip on the bottom and the zipper sewn to the outside of the panel toward the front of the vehicle. Start the canopy zipper at the top, front of the panel about 6". Then start the rear side zipper at the bottom, zip about 6". Start the front side zipper at the bottom of the window. Close all zippers completely.

Once the zippers are closed, slip the plastic on the bottom of the Quarter Window into the retainer on the vehicle. Re-install the plastic strip on the bottom of the canopy fabric, between the door opening ("B" pillar area) and the Quarter Window. Also install the small plastic strip where the fabric leg overlaps the Quarter Window.

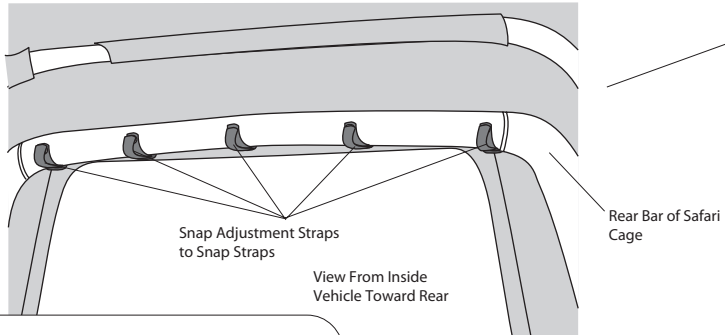
There are hook and loop strips sewn to the canopy and the Quarter Window panels, in four places. Fasten them together. (Figure 12.)



## Step Fourteen

At the rear of the vehicle, check the adjustment of the canopy and make any necessary adjustments with the buckles and straps. *If the adjustment is too tight the fabric will pucker above the rear opening and the rear window will not fit properly.* Once the adjustment has been made snap the adjustment straps out of the way, by snapping them to the snap head affixed to the other strap. (Figure 13.)

Figure 14



### **CAUTION: DO NOT OVERTIGHTEN THE STRAPS.**

*Overtightening the straps will cause the canopy fabric to pucker and wrinkle above the rear opening and will affect the fit of the Rear Window and Quarter Windows. In addition this may cause the fabric to tear.*

## Step Fifteen

Orient the Rear Window on the vehicle and starting at the upper, passenger side corner, zip the window into the canopy. Close the side zippers, starting at the top. (Figure 14.)

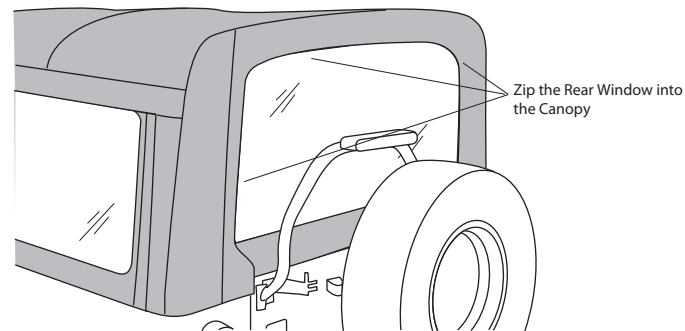
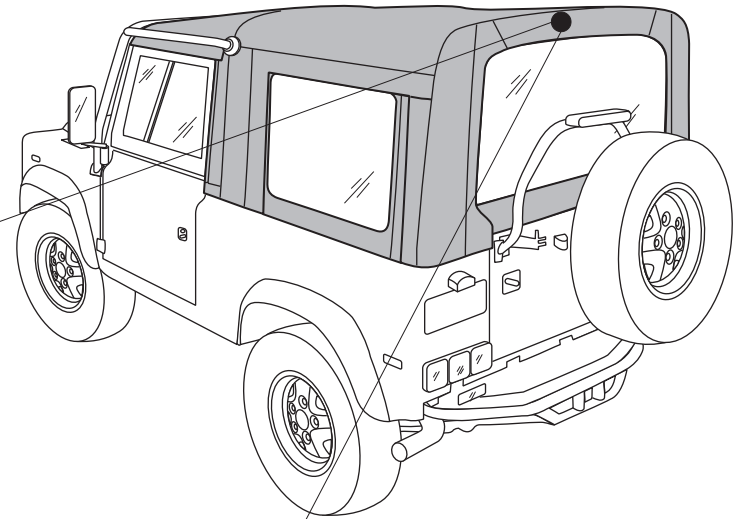


Figure 15



## Step Sixteen

Slide the Tailgate Bar onto the tube strip sewn to the bottom, inside of the Rear Window. Slip the ends of the retainer into the mounts on the vehicle. (Figure 15.)

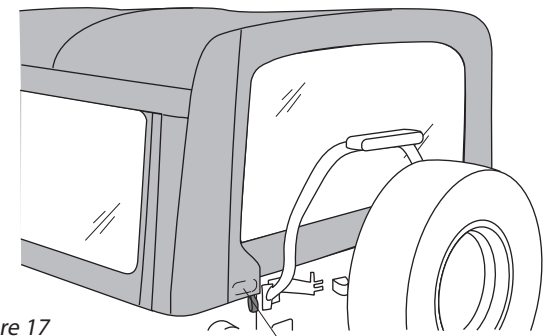
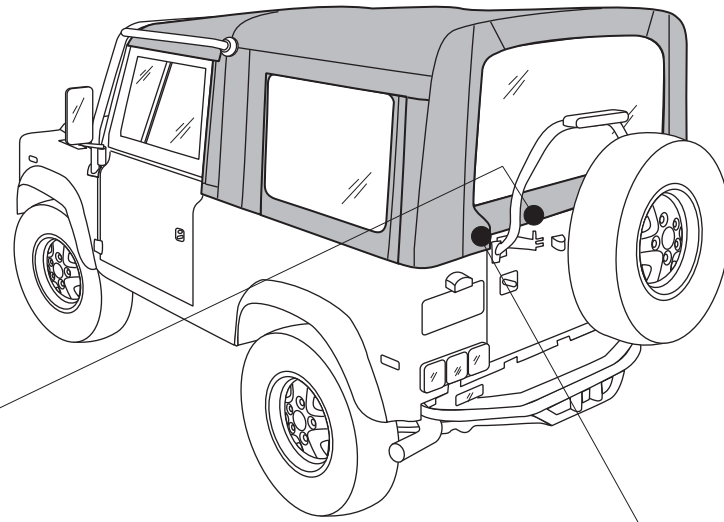
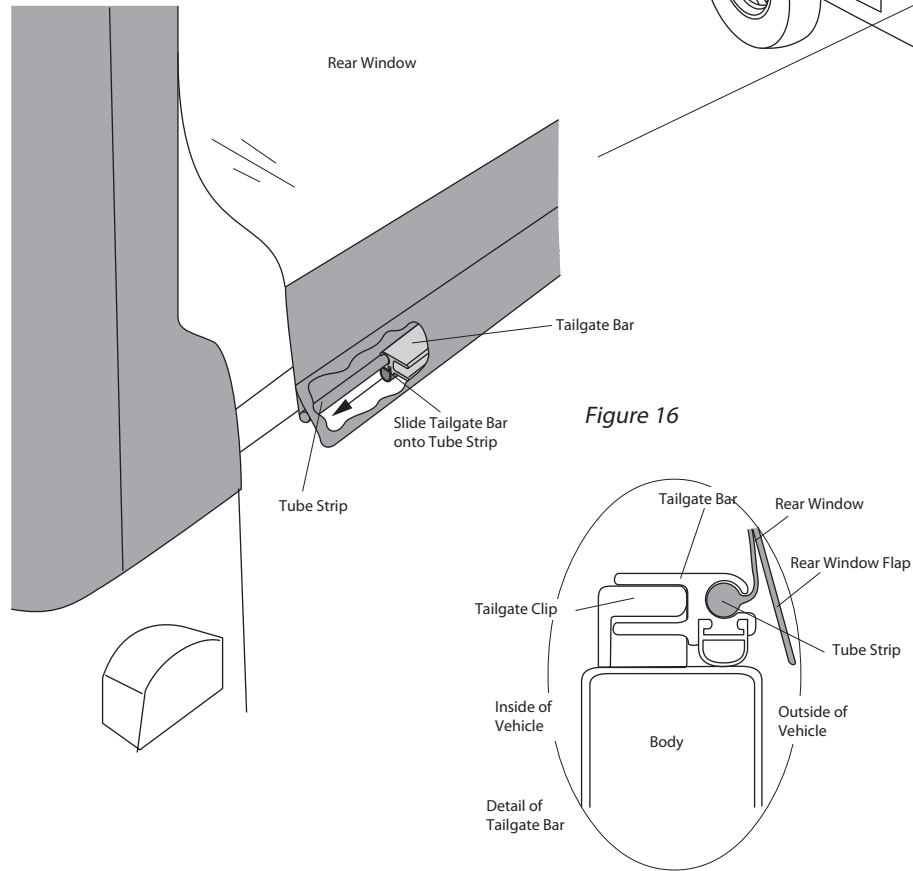


Figure 17

Plastic Strip - Overlap over Rear Window and slip into retainer

## Step Seventeen

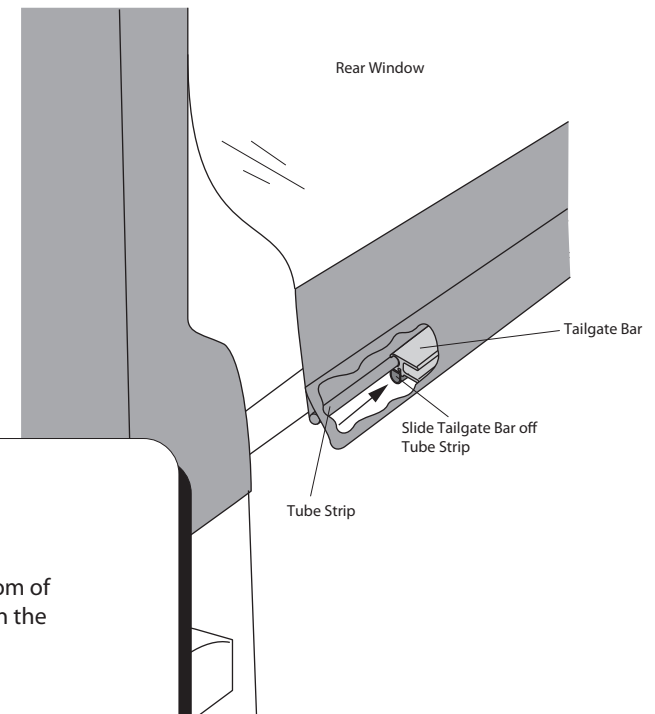
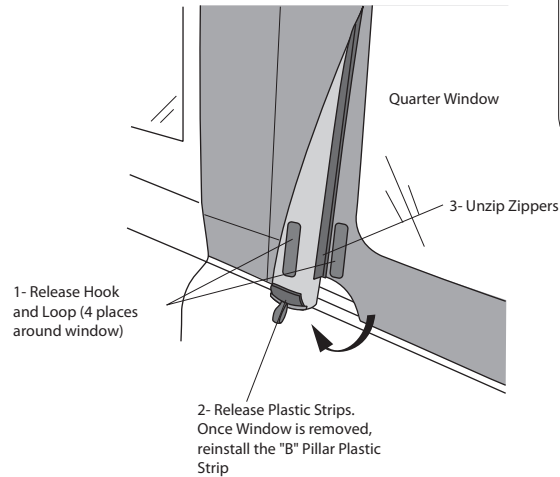
Once the Rear Window is in place, overlap the bottom of the fabric leg on the canopy over the Rear Window and slip the plastic into the retainer on the vehicle, as on the side curtain. (Figure 16.)

**Warning:** When operating the vehicle without the Quarter Windows, the Rear Window should be removed for proper ventilation.

## Adjusting the Top

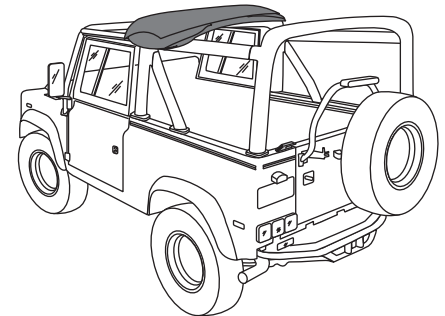
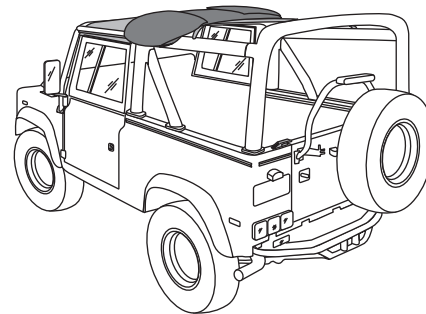
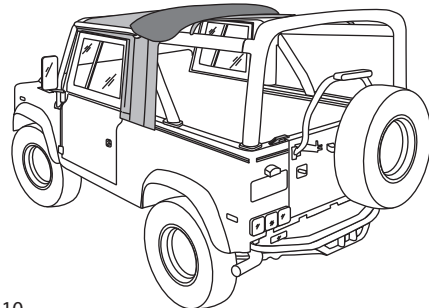
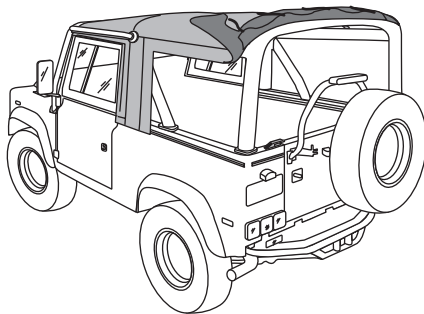
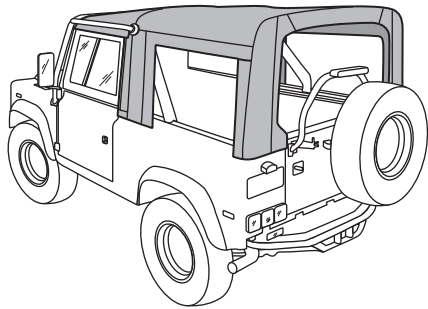
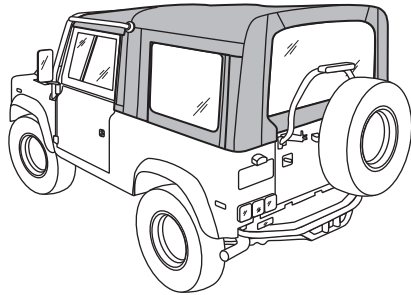
### Quarter Windows

To remove the Quarter Windows. Release the hook and loop sewn to the canopy and the Quarter Windows. Release the plastic strip on the bottom of the "B" Pillar and along the bottom of the Quarter Window from the retainer. Reinstall the plastic strip on the bottom of the "B" Pillar in the retainer. Unzip the Quarter Windows and store them safely.



### Rear Window

Unzip the Rear Window (both the top zipper and the side zippers). Remove the Tailgate Bar from the mounts on the vehicle. Slide the Tailgate Bar off the tube strip on the bottom of the Rear Window. Replace the Tailgate Bar in the mounts on the vehicle. Remove the Rear Window and store it safely.



### *Removing and Folding the Canopy*

Unzip the right and left Quarter Panels and the Rear Curtain.  
Store the Quarter Panels and Rear Curtain safely.

Undo the Plastic Retainers on the rear corners of the Canopy and fold the legs up over the top of the Canopy.

Unsnap the Canopy from the rear bar of the Safari Cage and fold the fabric forward to the Alpine Bow.

Release Hook and Loop Flap around the Alpine Bow and fold the Canopy forward to the center bar of the Safari Cage.

Unsnap the flap from the center bar of the Safari Cage.

Release the Plastic Retainers behind the doors and fold the front legs up over the top of the Canopy.

Unsnap the flaps above the doors from the Horizontal Bars.

Release the snaps at the front corners of the Canopy and slip the plastic along the front out of the Windshield Retainer. Carefully drop the folded Canopy into the vehicle.

Store the folded Canopy in a safe place.

## Care and Maintenance of your Canopy

The Life of Your Canopy Depends on You.

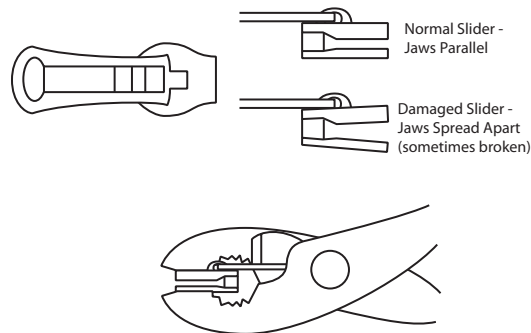
Your canopy is made of the finest materials available. To keep it looking new and for the maximum possible wear, it will need periodic cleaning and maintenance.

**Washing:** The canopy fabric should be washed often using soap, warm water and a soft bristle brush. Rinse with clear water to remove all traces of soap.

**Windows:** Keep windows clean to avoid scratching. DO NOT use a brush on the windows!

Wash with a watersoaked cloth or sponge and a mild dishwashing detergent. Do not use solvents or cleaners. NEVER WIPE THE WINDOWS WHEN THEY ARE DRY. Be careful when cleaning snow or frost from the vinyl windows since they are easily scratched and may crack at low temperatures. DO NOT roll the sides or rear window in cold weather. The windows become stiff and will crack. Store the windows flat and clean in the Window Stowage Bag, separated by the internal dividers. Impressions may appear in the glass after storage in the bag. DON'T PANIC. These marks will disappear after exposure to the sun. Plastic windows may be damaged if left in direct sunlight for extended periods inside the bag.

**Zippers:** Keeping the zipper cleaned and lubricated with a silicone lubricant will help prevent damage and keep the zippers in a smooth working condition. If a zipper opens behind the slider, the slider may have been spread apart. This problem can usually be repaired by using an ordinary pair of pliers to bring the sides back into parallel. Return slider to the end of the zipper in the normal Open position. Squeeze lightly at first and test the zipper. If the zipper continues to remain open squeeze more firmly with the pliers and try the zipper again. Repeat this procedure until the zipper operates correctly.



**Water:** In the event of seeping through the seams, 3M Scotchgard® may be applied on the inside of the seams to stop the seepage. Rips in the fabric may be repaired with Bondex® iron on patches. Iron the patches to the Inside of the canopy, carefully following the Bondex® instructions.

**Snaps:** Keep snaps cleaned and lubricated with silicone to help prevent snaps from sticking to the studs. If a snap does become stuck to a stud, use a screwdriver and GENTLY pry apart to prevent permanent damage to the snap or the canopy fabric.