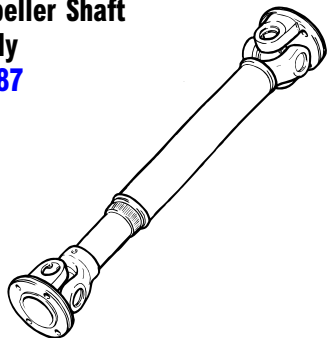


Ill. No.	Part No.	Description	Qty. Rqd.
----------	----------	-------------	-----------

## PROPELLER SHAFTS

**MONEY-SAVING KITS NOTED IN RED TYPE**

### 1 - Propeller Shaft Assembly #FRC8387



### 2 UNIVERSAL JOINT #TVC100010



### 3 GAITER #276483

1	FRC8387	PROPELLER SHAFT ASSEMBLY, rear	1
2	TVC100010	UNIVERSAL JOINT, propeller shaft	4
3	276483	GAITER, front propeller shaft	1

Ill. No.	Part No.	Description	Qty. Rqd.
----------	----------	-------------	-----------

## DIFFERENTIAL

### REMARKS LEGEND -

Axle (a) numbers:

49L = ABS and coil springs, 1990 on;

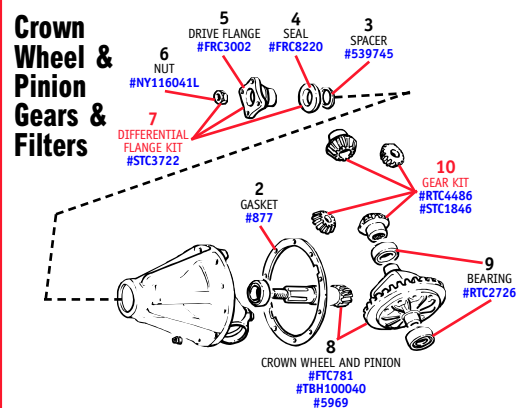
57L = ABS and air springs, 1993 on.



### 1 DIFFERENTIAL ASSEMBLY #FTC5142G #FTC2750R

1	FTC5142G	DIFFERENTIAL ASSEMBLY, new Front axle from (a) 49L11364C and 57L05189B on; rear axle from (v) PA637568 to RA647644	2
	FTC2750R	DIFFERENTIAL ASSEMBLY, remanufactured Front axle up to (a) 49L11363C and 57L05188B; rear axle from (a) 35518188C to 37508650B	2

### Crown Wheel & Pinion Gears & Filters



2	877	GASKET, differential to axle case	2
3	539745	SPACER, pinion	2
4	FRC8220	SEAL, pinion	2
5	FRC3002	DRIVE FLANGE	2
6	NY116041L	NUT, flange to pinion shaft	2
7	STC3722	DIFFERENTIAL FLANGE KIT, 4 bolt type <i>Includes flange, oil seal, mud shield, pin and nut</i>	1
8	FTC781	CROWN WHEEL AND PINION, 3.54:1 ratio Up to (a) 49L11363C, 57L05188B	2
	TBH100040	CROWN WHEEL AND PINION, 3.54:1 ratio Use FS112301PG bolts, FTC5413G washers and NY116041L nuts (10 each) to fit	2
	5969	CROWN WHEEL AND PINION, 4.11:1 ratio	2
9	RTC2726	BEARING, differential Up to (a) 49L11363C, 57L05188B	4
10	RTC4486	GEAR KIT, differential Front axle up to (a) 49L11363C and 57L05188B; rear axle from (a) 35518188C to 37508650B	2
	STC1846	GEAR KIT, differential Rear axle from (a) 37508651B to 375174661A	2

Ill. No.	Part No.	Description	Qty. Rqd.
----------	----------	-------------	-----------

## TECH TIP: Troubleshooting CV Joints



Range Rovers produced through 1989 without ABS brake systems used two front axles, suffix "A" and suffix "B." The CV joints should be measured to determine the correct axle part for your Range Rover. Complete packages available for replacement as noted below.

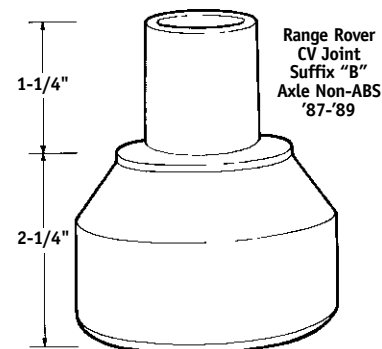
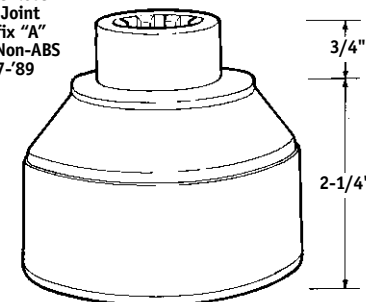
**Replacement Kit, CV Joint Suffix "A" Axle (9362)**  
*Includes CV Joint, washers, hub seals, thrust sleeve, etc.*

**Replacement Kit, CV Joint Suffix "B" Axle (9363)**  
*Includes CV Joint, washers, hub seals, thrust sleeve, etc.*

**CV Joint Only, Non-ABS, Suffix "A" Axle (606665)**

**CV Joint Only, Non-ABS, Suffix "B" Axle (RTC5843)**

Range Rover  
CV Joint  
Suffix "A"  
Axle Non-ABS  
'87-'89



**PRICES SUBJECT TO CHANGE.**  
Call for the Latest Pricing and Availability.