

TIL No.	Part No.	Description	Qty. Rqd.
---------	----------	-------------	-----------

HOOD, TAILGATE AND FUEL FILLER FITTINGS

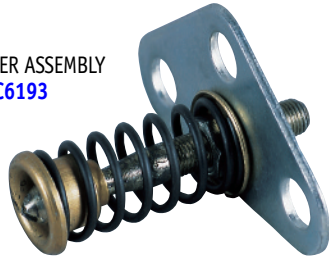
REMARKS LEGEND -

Vehicle i.d. (v) numbers:

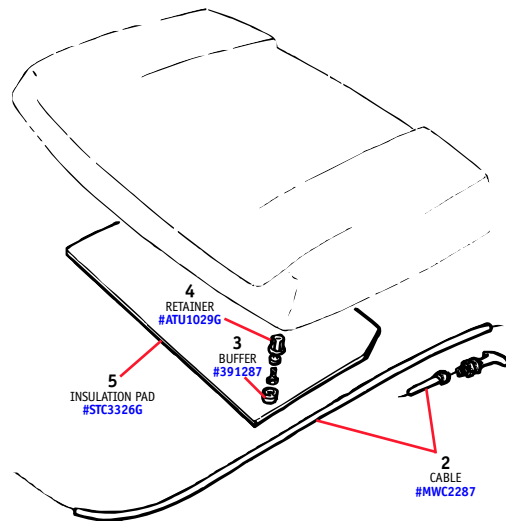
- JA = 1988 model year; KA = 1989 model year;
- LA = 1990 model year; MA = 1991 model year;
- RA = 1994 model year; SA = 1995 model year.

MONEY-SAVING KITS NOTED IN RED TYPE

1 STRIKER ASSEMBLY
#MWC6193

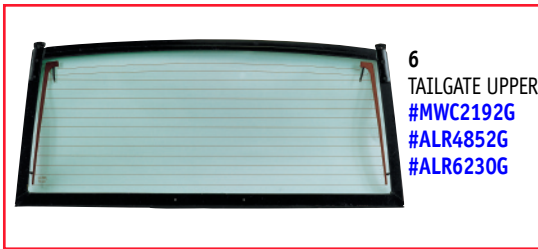


Hood Cable & Insulation



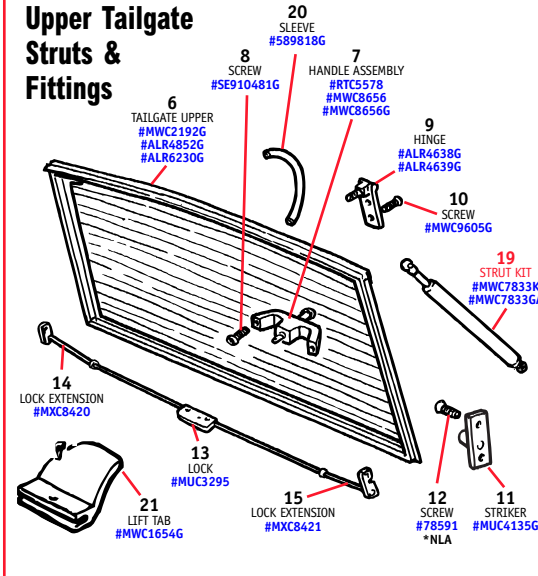
- | | | | |
|---|----------|---|---|
| 1 | MWC6193 | STRIKER ASSEMBLY, bonnet lock | 1 |
| 2 | MWC2287 | CABLE, bonnet release
Up to (v) RA647649 | 1 |
| 3 | 391287 | BUFFER, rubber, bonnet front corner | 2 |
| 4 | ATU1029G | RETAINER, bonnet corner buffer | 2 |
| 5 | STC3326G | INSULATION PAD, bonnet | 1 |

TIL No.	Part No.	Description	Qty. Rqd.
---------	----------	-------------	-----------



6 TAILGATE UPPER
#MWC2192G
#ALR4852G
#ALR6230G

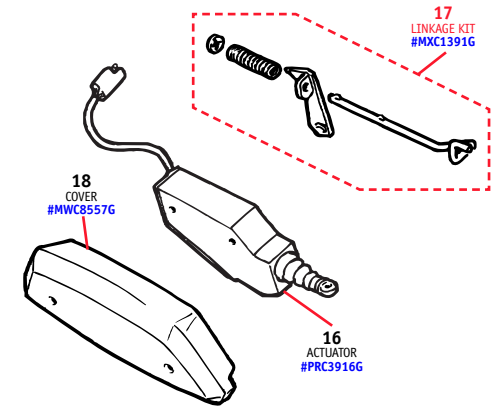
Upper Tailgate Struts & Fittings



- | | | | |
|----|-----------|---|------|
| 6 | MWC2192G | TAILGATE UPPER, complete assembly
Up to (v) JA351032 | 1 |
| | ALR4852G | TAILGATE UPPER, complete assembly
From (v) KA351033 to RA647649;
provides for brake light | 1 |
| | ALR6230G | TAILGATE UPPER, complete assembly
From (v) SA647650 on; Classic model | 1 |
| 7 | RTC5578 | HANDLE ASSEMBLY, upper tailgate
Up to (v) JA351032 | 1 |
| | MWC8656 | HANDLE ASSEMBLY, upper tailgate
From (v) KA351033 on | 1 |
| | MWC8656G | HANDLE ASSEMBLY, upper tailgate, genuine
From (v) KA351033 on | 1 |
| 8 | SE910481G | SCREW, handle to upper tailgate
Up to (v) JA351032 | 2 |
| 9 | ALR4638G | HINGE, upper tailgate, RH | 1 |
| | ALR4639G | HINGE, upper tailgate, LH | 1 |
| 10 | MWC9605G | SCREW, Torx drive, hinge to upper tailgate | 4 |
| 11 | MUC4135G | STRIKER, upper tailgate lock | 2 |
| 12 | 78591 | SCREW, striker to body | *NLA |
| 13 | MUC3295 | LOCK, center, upper tailgate
From (v) JA on | 1 |
| 14 | MXC8420 | LOCK EXTENSION, upper tailgate, RH
From (v) LA415634 on | 1 |
| 15 | MXC8421 | LOCK EXTENSION, upper tailgate, LH
From (v) LA415634 on | 1 |

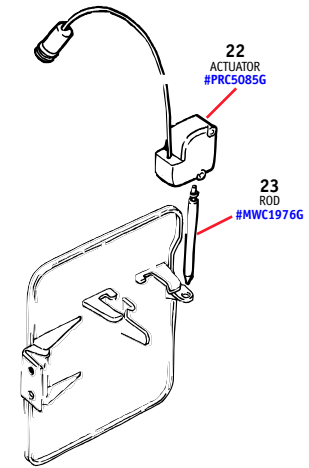
TIL No.	Part No.	Description	Qty. Rqd.
---------	----------	-------------	-----------

Tailgate Actuators



- | | | | |
|----|-----------|--|---|
| 16 | PRC3916G | ACTUATOR, lock, upper tailgate
From (v) KA351033 to RA647649 | 1 |
| 17 | MXC1391G | LINKAGE KIT, upper tailgate lock actuator
From (v) KA351033 on | 1 |
| 18 | MWC8557G | COVER, upper tailgate lock actuator
From (v) KA351033 to MA606488 | 1 |
| 19 | MXC7833K | STRUT KIT, upper tailgate | 1 |
| | MXC7833GA | STRUT KIT, upper tailgate, genuine | 1 |
| | MXC7833 | STRUT, upper tailgate | 2 |
| | MXC7833G | STRUT, upper tailgate, genuine | 2 |
| 20 | 589818G | SLEEVE, harness protection, upper tailgate | 2 |
| 21 | MWC1654G | LIFT TAB, lower tailgate | 2 |

Fuel Door Actuator



- | | | | |
|----|----------|---|---|
| 22 | PRC5085G | ACTUATOR, fuel filler flap
Up to (v) LA464553 | 1 |
| 23 | MWC1976G | ROD, fuel filler flap locking
Up to (v) LA464553 | 1 |

*NLA = No Longer Available